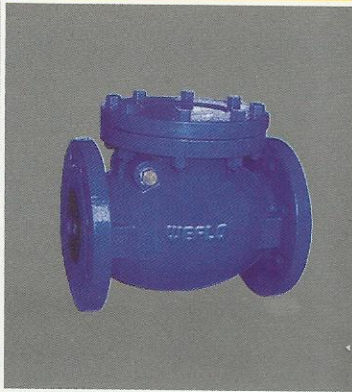
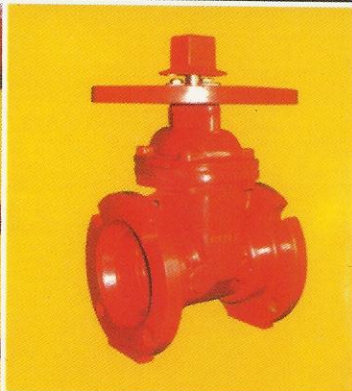
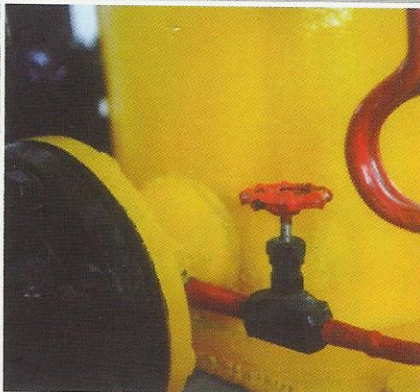
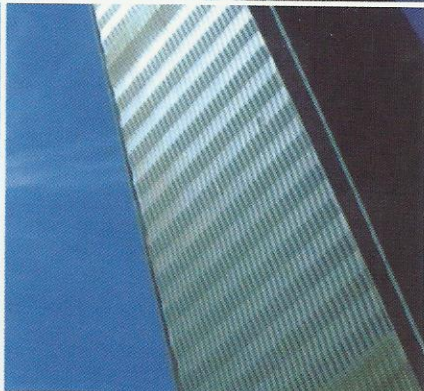
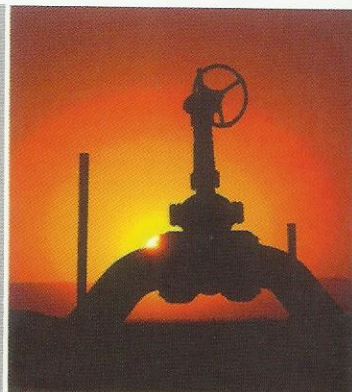
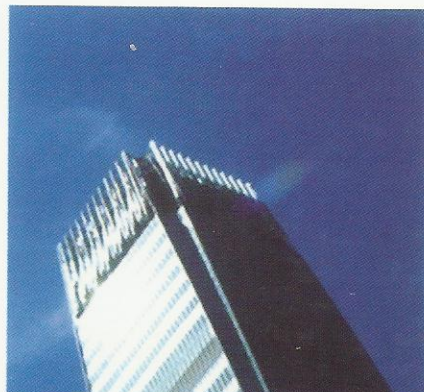


# WEFLO<sup>®</sup>

WEFLO VALVE COMPANY LTD.



## COMPANY PROFILE

---

Weflo Cast Iron Valves and Ductile Iron Valves are manufactured using advanced equipment with finest materials available. All valves are designed by a professional team of dedicated valve specialists with many years experience in the industry. Manufacturing facilities are certified by ISO9001-2000. Weflo's valves have been approved by UL, FM, CE, WARS, Australian Watermark and Australian Gas Association.

## MISSION STATEMENT

---

We shall continually seek to improve efficiency and service to our customer.

We aim to do it right first time, every time, with a program of continuous improvement in all facets of the business.

We shall provide world class quality, engineering and service to our valued customer and grow our business via co-operation, vision and initiative.

## WEFLO Gate Valve

---

WEFLO Gate Valve, Check Valve and Air Release Valve have been approved to be used in the world Tallest Buildings Burj Khalifa (Burj Dubai, now named after the President of the UAE, His Highness Sheikh Khalifa bin Zayed al Nahyan).



**OS&Y RESILIENT SEALED GATE VALVE**

**FIG · F0111-200**

**Specification**

- Valves comply with AWWA C515
- The handwheel is attached to the yoke by a heavier nut.
- High quality graphite stem seal.
- NPT brass plug on body.
- One brass plug screwed on body
- Flange end ANSI 150
- FM and UL approved

**Working Pressure**

- 200PSI

**Working Temperature**

- 0.6°C to 52°C

**Corrosion Protection**

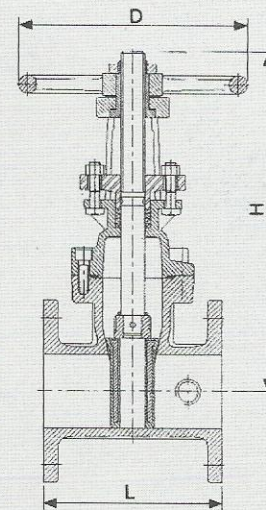
- Internally and externally fusion bonded epoxy powder coated (FBE).

**Notes :** Design and material are subject to change without notice.

**Material Specification**

Part Name	Material	ASTM Spec.
Body	Ductile Iron	A536 65-45-12
Wedge	Ductile Iron, EPDM Encapsulated	
Wedge Nut	Stainless Steel	AISI 304
Stem	Stainless Steel	AISI 420
Bonnet	Ductile Iron	A536 65-45-12
Gasket	EPDM	Commercial
Packing	Graphite	Commercial
Gland	Ductile Iron	A536 65-45-12
Yoke Nut	Bronze	ASTM B62
Handwheel	Ductile Iron	A536 65-45-12
Handwheel Nut	Ductile Iron	A536 65-45-12
NPT Plug	Brass	B16, C36000
Gland Bolts	Stainless Steel	AISI 316
Bonnet Bolts	Carbon Steel	A307 B

**Drawing and Picture**



**Dimensions (mm/inch)**

Size	2.5"		3"		4"		5"		6"		8"		10"		12"	
	mm	inch	mm	inch	mm	inch	mm	inch	mm	inch	mm	inch	mm	inch	mm	inch
<b>L</b>	190.5	7-1/2	230	8	229	9	254	10	267	10-1/2	292	11-1/2	330	13	356	14
<b>H(Open)</b>	415	16-5/6	480	18-7/8	550	21-5/8	655	25-1/5	740	29-1/8	930	36-5/8	1130	44-1/2	1320	52
<b>H(Close)</b>	350	13-3/4	400	15-3/4	450	17-3/4	530	20-7/8	590	23-1/4	730	28-3/4	880	34-3/4	1020	40-1/6
<b>D</b>	184	7-1/4	254	10	254	10	305	12	305	12	356	14	445	17-1/2	445	17-1/2
Weight(kg)	20		25		30		42		50		77		120		170	

## NRS RESILIENT SEALED GATE VALVE

### FIG · F0211-200

#### Specification

- Valves comply with AWWA C515
- Non rising stem.
- With indicator post flange and a 2" square operating nut.
- Triple O-ring stem seal.
- NPT brass plug on body.
- Flange end ANSI 150
- FM and UL approved

#### Working Pressure

- 200PSI

#### Working Temperature

- 0.6°C to 52°C

#### Corrosion Protection

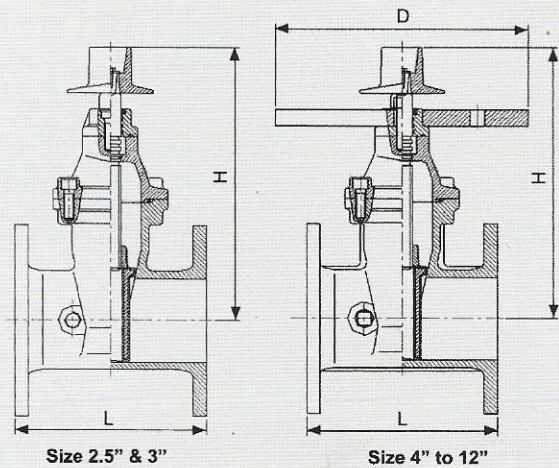
- Internally and externally fusion bonded epoxy powder coated (FBE).

**Notes :** Design and material are subject to change without notice.

#### Material Specification

Part Name	Material	ASTM Spec.
Body	Ductile Iron	A536 65-45-12
Wedge	Ductile Iron with EPDM Coated	
Wedge Nut	Bronze	ASTM B62
Stem	Stainless Steel	AISI 420
Thrust Collar	Bronze	ASTM B62
Bonnet	Ductile Iron	A536 65-45-12
Gasket	EPDM	Commercial
Gland	Ductile Iron	A536 65-45-12
O-ring	EPDM	Commercial
Post Flange	Ductile Iron	A536 65-45-12
Operating Nut	Ductile Iron	A536 65-45-12
NPT Plug	Brass	B16, C36000
Indicator Flange Bolts	Stainless Steel	AISI 316
Bonnet Bolts	Carbon Steel	A307 B

#### Drawing and Picture



#### Dimensions (mm/inch)

Size	2-1/2"		3"		4"		5"		6"		8"		10"		12"	
	mm	inch	mm	inch	mm	inch	mm	inch	mm	inch	mm	inch	mm	inch	mm	inch
L	190.5	7-1/2	203	8	229	9	254	10	267	10-1/2	292	11-1/2	330	13	356	14
H	270	10-5/8	296	11-5/8	350	13-3/4	410	16-1/8	455	17-15/16	545	21-7/16	645	25-3/8	730	28-3/4
D	--	--	--	--	305	12	305	12	305	12	305	12	305	12	305	12
Weight(kg)	16.5		23		30		35		50		75		110		164	



WEFLO VALVE COMPANY LTD.

## OS&Y RESILIENT SEALED GATE VALVE

### FIG • F0111-250

#### Specification

- Valves comply with AWWA C515
- The handwheel is attached to the yoke by a heavier nut.
- High quality graphite stem seal.
- NPT brass plug on body.
- One brass plug screwed on body
- Flange end ANSI 150
- FM and UL approved

#### Working Pressure

- 250PSI

#### Working Temperature

- 0.6°C to 52°C

#### Corrosion Protection

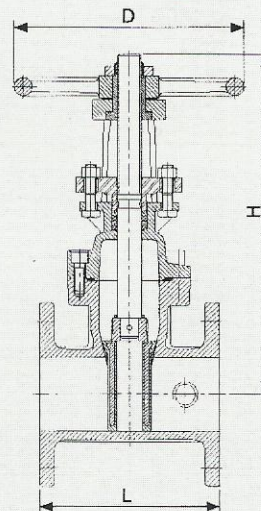
- Internally and externally fusion bonded epoxy powder coated (FBE).

Notes : Design and material are subject to change without notice.

#### Material Specification

Part Name	Material	ASTM Spec.
Body	Ductile Iron	A536 65-45-12
Wedge	Ductile Iron, EPDM Encapsulated	
Wedge Nut	Stainless Steel	AISI 304
Stem	Stainless Steel	AISI 420
Bonnet	Ductile Iron	A536 65-45-12
Gasket	EPDM	Commercial
Packing	Graphite	Commercial
Gland	Ductile Iron	A536 65-45-12
Yoke Nut	Bronze	ASTM B62
Handwheel	Ductile Iron	A536 65-45-12
Handwheel Nut	Ductile Iron	A536 65-45-12
NPT Plug	Brass	B16, C36000
Gland Bolts	Stainless Steel	AISI 316
Bonnet Bolts	Carbon Steel	A307 B

#### Drawing and Picture



Size	2.5"		3"		4"		5"		6"		8"		10"		12"	
	mm	inch	mm	inch	mm	inch	mm	inch	mm	inch	mm	inch	mm	inch	mm	inch
<b>L</b>	190.5	7-1/2	230	8	229	9	254	10	267	10-1/2	292	11-1/2	330	13	356	14
<b>H(Open)</b>	415	16-5/8	480	18-7/8	550	21-5/8	655	25-1/5	740	29-1/8	930	36-5/8	1130	44-1/2	1320	52
<b>H(Close)</b>	350	13-3/4	400	15-3/4	450	17-3/4	530	20-7/8	590	23-1/4	730	28-3/4	880	34-3/4	1020	40-1/6
<b>D</b>	184	7-1/4	254	10	254	10	305	12	305	12	356	14	445	17-1/2	445	17-1/2
Weight(kg)	20		25		30		42		50		77		120		170	

## NRS RESILIENT SEALED GATE VALVE

### FIG · F0211-250

#### Specification

- Valves comply with AWWA C515
- Non rising stem.
- With indicator post flange and a 2" square operating nut.
- Triple O-ring stem seal.
- NPT brass plug on body.
- Flange end ANSI 150
- FM and UL approved

#### Working Pressure

- 250PSI

#### Working Temperature

- 0.6°C to 52°C

#### Corrosion Protection

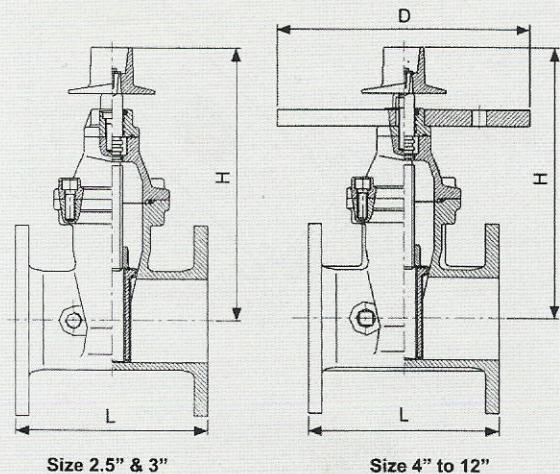
- Internally and externally fusion bonded epoxy powder coated (FBE).

**Notes :** Design and material are subject to change without notice.

#### Material Specification

Part Name	Material	ASTM Spec.
Body	Ductile Iron	A536 65-45-12
Wedge	Ductile Iron with EPDM Coated	
Wedge Nut	Bronze	ASTM B62
Stem	Stainless Steel	AISI 420
Thrust Collar	Bronze	ASTM B62
Bonnet	Ductile Iron	A536 65-45-12
Gasket	EPDM	Commercial
Gland	Ductile Iron	A536 65-45-12
O-ring	EPDM	Commercial
Post Flange	Ductile Iron	A536 65-45-12
Operating Nut	Ductile Iron	A536 65-45-12
NPT Plug	Brass	B16, C36000
Indicator Flange Bolts	Stainless Steel	AISI 316
Bonnet Bolts	Carbon Steel	A307 B

#### Drawing and Picture



#### Dimensions (mm/inch)

Size	2-1/2"		3"		4"		5"		6"		8"		10"		12"	
	mm	inch	mm	inch	mm	inch	mm	inch	mm	inch	mm	inch	mm	inch	mm	inch
L	190.5	7-1/2	203	8	229	9	254	10	267	10-1/2	292	11-1/2	330	13	356	14
H	270	10-5/8	296	11-5/8	350	13-3/4	410	16-1/8	455	17-15/16	545	21-7/16	645	25-3/8	730	28-3/4
D	--	--	--	--	305	12	305	12	305	12	305	12	305	12	305	12
Weight(kg)	16.5		23		30		35		50		75		110		164	



**OS&Y RESILIENT SEALED GATE VALVE**

**FIG · F0111-300**

**Specification**

- Valves comply with AWWA C515
- The handwheel is attached to the yoke by a heavy duty nut.
- High quality graphite stem seal.
- NPT brass plug on body.
- Flange end ANSI 150
- FM and UL approved

**Working Pressure**

- 300PSI

**Working Temperature**

- 0.6°C to 52°C

**Corrosion Protection**

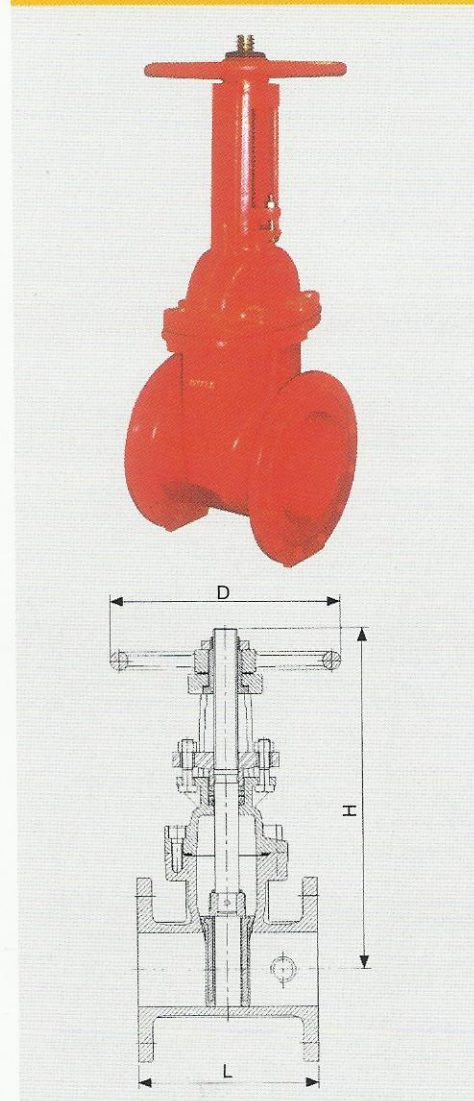
- Internally and externally fusion bonded epoxy powder coated (FBE).

**Notes :** Design and material are subject to change without notice.

**Material Specification**

Part Name	Material	ASTM Spec.
Body	Ductile Iron	A536 65-45-12
Wedge	Ductile Iron, EPDM Encapsulated	
Wedge Nut	Stainless Steel	AISI 304
Stem	Stainless Steel	AISI 420
Bonnet	Ductile Iron	A536 65-45-12
Gasket	EPDM	Commercial
Packing	Graphite	Commercial
Gland	Ductile Iron	A536 65-45-12
Yoke Nut	Bronze	ASTM B62
Handwheel	Ductile Iron	A536 65-45-12
Handwheel Nut	Ductile Iron	A536 65-45-12
NPT Plug	Brass	B16, C36000
Gland Bolts	Stainless Steel	AISI 316
Bonnet Bolts	Carbon Steel	A307 B

**Drawing and Picture**



**Dimensions (mm/inch)**

Size	2.5"		3"		4"		5"		6"		8"		10"		12"	
	mm	inch	mm	inch	mm	inch	mm	inch	mm	inch	mm	inch	mm	inch	mm	inch
L	190.5	7-1/2	230	8	229	9	254	10	267	10-1/2	292	11-1/2	330	13	356	14
H(Open)	415	16-5/6	480	18-7/8	550	21-5/8	655	25-1/5	740	29-1/8	930	36-5/8	1130	44-1/2	1320	52
H(Close)	350	13-3/4	400	15-3/4	450	17-3/4	530	20-7/8	590	23-1/4	730	28-3/4	880	34-3/4	1020	40-1/6
D	184	7-1/4	254	10	254	10	305	12	305	12	356	14	445	17-1/2	445	17-1/2
Weight(kg)	20		25		30		42		50		77		120		170	

## DOUBLE DOOR CHECK VALVE

### FIG · F0411-175

#### Specification

- The extremely short face to face dimension and compact design of this valve allow installation and service in tight spaces.
- Spring assisted for better dynamic behaviour.
- Soft seated for perfect tightness even at low differential pressure.
- Flange end ANSI 150
- UL listed.

#### Working Pressure

- 175PSI

#### Working Temperature

- -10°C to 120°C

#### Corrosion Protection

- Internally and externally spray-painted or fusion bonded epoxy powder coated (FBE).

**Notes :** Design and material are subject to change without notice.

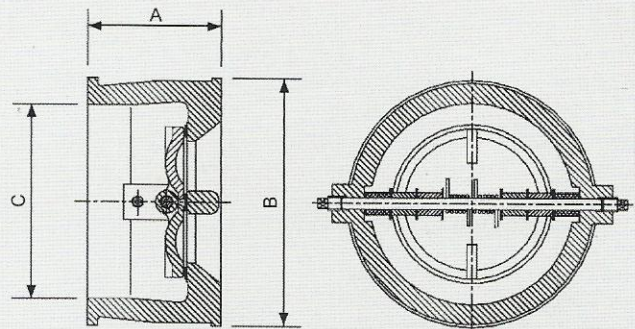
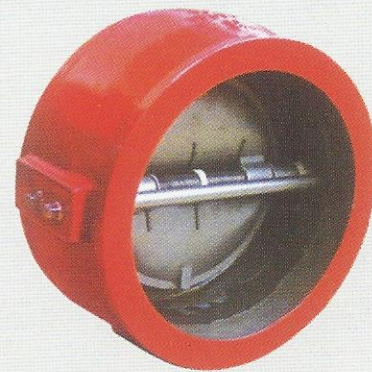
#### Material Specification

Component	Material	Component	Material
Body	Cast Iron ASTM A126 Class B	Washer	PTFE
Stop Pin	Stainless Steel AISI 416	Spacer	PTFE
Hinge Pin	Stainless Steel AISI 416	Disc	Stainless Steel ASTM CF8
Seat	EPDM	Spring	Stainless Steel AISI 304
Pin Retainer	Stainless Steel AISI 416	Lifting Hook	Carbon Steel
Gasket	PTFE		(Not Shown, only for 8", 10" & 12")

#### Dimensions (mm/inch)

Size	100mm / 4"		150mm / 6"		200mm / 8"		250mm / 10"		300mm / 12"	
	mm	inch	mm	inch	mm	inch	mm	inch	mm	inch
A	93	3-11/16	105	4-1/8	121	4-3/4	154	6-1/16	187	7-3/8
B	172	6-1/4	220	8-11/16	280	11	340	13-3/8	410	16-1/8
C	136	5-3/8	178	7	230	9-1/16	285	11-1/4	338	13-5/16
Weight(kg)	8.4		13.5		23		42		68	

#### Drawing and Picture





**WEFLO**<sup>®</sup>

WEFLO VALVE COMPANY LTD.

## SWING CHECK VALVE

### FIG · F0311-300

#### Specification

- Valves comply with AWWA C508, clear waterway design.
- Seating type is resilient material to bronze seat construction.
- Two brass plugs screwed on one side of body.
- Flange end ANSI 150
- FM and UL approved

#### Working Pressure

- 300PSI

#### Working Temperature

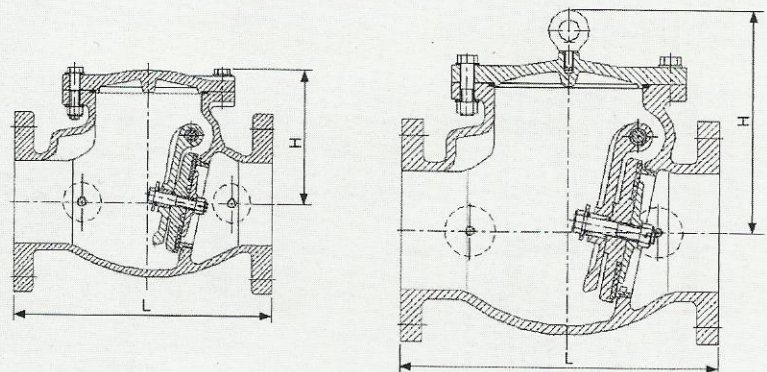
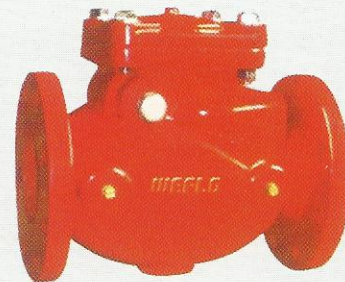
- 0.6°C to 52°C

#### Corrosion Protection

- Internally and externally fusion bonded epoxy powder coated (FBE).

**Notes :** Design and material are subject to change without notice.

#### Drawing and Picture



Size 2" to 4"

Size 5" to 12"

#### Material Specification

Part Name	Material	ASTM Spec.	Part Name	Material	ASTM Spec.
Body	Ductile Iron	A536 65-45-12	Gasket	EPDM	Commercial
Seat Ring	Bronze	ASTM B62	Hinge Pin	Stainless Steel	AISI 304
Disc Ring	EPDM	Commercial	Clapper Arm	Ductile Iron	A536 65-45-12
Disc Ring Retainer	Bronze	ASTM B62	Pin Plug	Stainless Steel	AISI 304
Retainer Bolt	Stainless Steel	AISI 304	NPT Plug	Brass	B13 C36000
Disc	Ductile Iron	A536 65-45-12	Bolt and Nut	Carbon Steel	A307 B
Bonnet	Ductile Iron	A536 65-45-12	Eyebolt	Carbon Steel	A307 B

#### Dimensions (mm/inch)

Size	2"	2.5"	3"	4"	5"	6"	8"	10"	12"	
L	mm	203	254	279	330	356	406	495	559	660
	inch	8	10	11	13	14	16	19-1/2	22	26
H	mm	132	145	150	175	298	300	352	395	445
	inch	5-3/16	5-11/16	5-7/8	6-7/8	11-3/4	11-13/156	13-7/8	15-9/16	17-1/2
Weight(kg)	11.5	13	17	25	40	50	58.3	218	282	

## Y-STRAINER FIG. F0511-175

### Specification

- NPT or BSPT blowoff outlet on cover. Blowoff outlets are finished with plugs.
- Screens are perforated 304 stainless steel with spot welded seam.
- Recessed seat in body assures accurate screen alignment.
- Flange end ANSI 150
- UL listed.

### Working Pressure

- 175PSI

### Working Temperature

- -10°C to 120°C

### Corrosion Protection

- Internally and externally spray-painted or fusion bonded epoxy powder coated (FBE).

**Notes :** Design and material are subject to change without notice.

### Material Specification

Component	Material
Body	Cast Iron ASTM A126 Class B
Cover	Cast Iron ASTM A126 Class B
Screen	Stainless Steel AISI 304
Gasket	PTFE/Graphite
Plug	Ductile Iron ASTM A536 Gr. 65-45-12

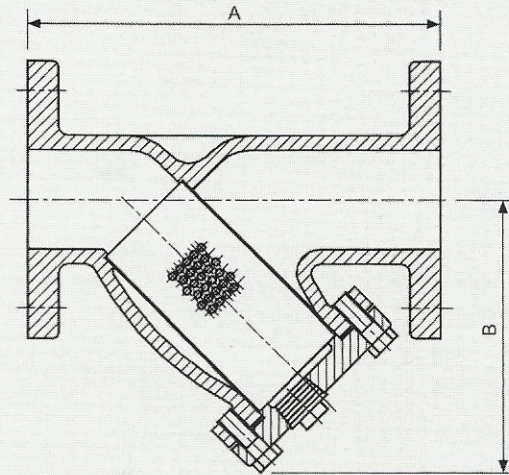
### Standard Screens

Size (mm/inch)	Hole Dia. (mm)	Free Flow Area (%)
65(2-1/2")	3	53.6
80-125(3" 5")	4.3	46.3
150-250 (6"-10")	6.0	54.5
300 (12")	6.3	57.2

### Dimensions (mm/inch)

Size	A		B		Plug Size (NPT Thread)	Weight(kg)
	mm	inch	mm	inch		
65mm / 2-1/2"	273.0	10-3/4	135.0	5-5/16	1"	14
80mm / 3"	295.0	11-5/8	215.0	8-1/2	1"	17.3
100mm / 4"	352.0	13-7/8	245.0	9-5/8	1"	32
125mm / 5"	416.0	16-3/8	295.0	11-5/8	1-1/4"	47.5
150mm / 6"	470.0	18-1/2	320.0	12-5/8	1-1/2"	62.5
200mm / 8"	543.0	21-3/8	415.0	16-3/8	1-1/2"	107.5
250mm / 10"	660.0	26	485.0	19-1/8	2"	175
300mm / 12"	770.0	30-5/16	560.0	22-1/16	2"	253

### Drawing and Picture





# WEFLO®

WEFLO VALVE COMPANY LTD.

## WALL INDICATOR POST FIG · F0600-WP

### Specification

- Indicates if the valves is in the open or shut position.
- Used to operate a valve installed behind a wall.
- With a 12"O.D. post flange to mount on a wall.
- Operated by handwheel.
- Can be supplied to open left or right.
- FM and UL approved.

### Corrosion Protection

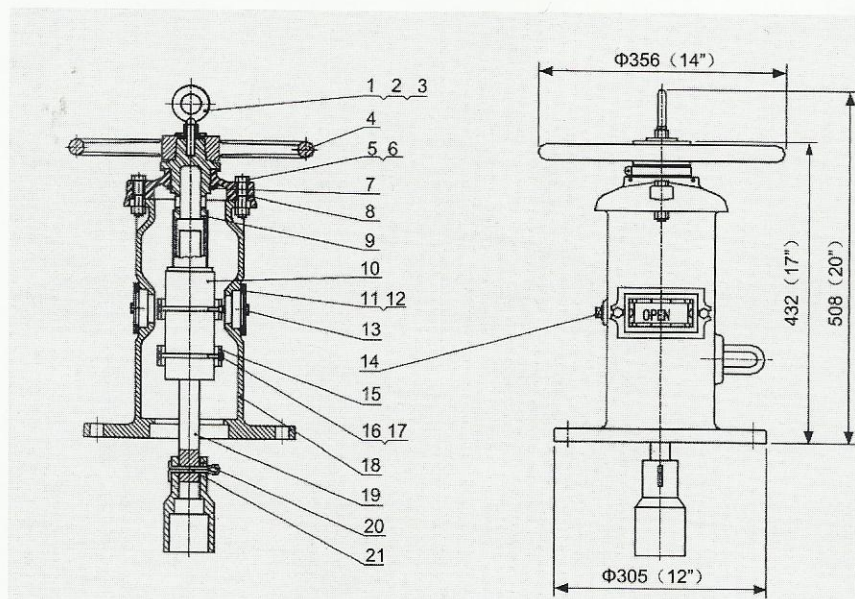
- Internally and externally red epoxy coated RAL300.

**Notes:** Design and material are subject to change without notice.

### FIELD ADJUSTMENT

- Remove the Top Section from the top of the Indicator Post assembly.
- Reattach the Top Section to the top of the Indicator Post assembly.
- Set the "OPEN" and "SHUT" targets for the appropriate valve size.

### Drawing and Picture



### Material Specification

No.	Component	Material	No.	Component	Material
1	Eye Bolt	Carbon Steel ASTM A307B	11	Window Glass	Plexiglass
2	Hex Nut	Carbon Steel ASTM A307B	12	Gasket	PTFE
3	Washer	Carbon Steel ASTM A570 Gr. 33	13	Hex Nut	Carbon Steel ASTM A307B
4	Handwheel	Ductile Iron ASTM A536 Gr. 65-45-12	14	Plug	Malleable Iron
5	Hex Cap Screw	Carbon Steel ASTM A307B	15	Target	Cast Aluminium
6	Square Nut	Carbon Steel ASTM A307B	16	Hex Cap Screw	Carbon Steel ASTM A307B
7	Snap Ring	Stainless Steel AISI 1066	17	Hex Nut	Carbon Steel ASTM A307B
8	Cover	Cast Iron ASTM A126 Class B	18	Body	Cast Iron ASTM A126 Class B
9	Operating Nut	Bronze ASTM B62 C83600	19	Stem	Carbon Steel AISI 1045
		Stainless Steel AISI 304	20	Crane Coupling	Ductile Iron ASTM A536 Gr. 65-45-12
10	Target Carrying Nut	Bronze ASTM B62 C83600	21	Cotter Pin	Stainless Steel AISI 304
		Stainless Steel AISI 304			

## Wafer Butterfly Valve Lever Operated 200 PSI, Gear Operated 300 PSI FIG · F0811-200, FIG · F0811-300

### Specification

- Single piece through shaft.
- Vulcanized seat design for bubble-tight shutoff at 300 psi.
- Flag type position indicator.
- Low torque operation, high cycle life.
- With built-in supervisory switch.
- Top flange to ISO 5211/1.
- Flange end ANSI 150
- UL listed.

### Working Pressure

- 300PSI

### Working Temperature

- 0.6°C to 52°C

### Corrosion Protection

- Internally and externally fusion bonded epoxy powder coated (FBE).

**Notes:** Design and material are subject to change without notice.

### Drawing and Picture



### Installation of Gear Operator With Tamper Switch

Butterfly valves are provided with internal supervisory position switches. The tamper switch operates by a cam connected to the valve stem. The switch will change position and close within two (2) full turns of the handwheel from the fully open position.

Switch #1.

For connection to the supervisory circuit

Normally closed: 2 Yellow

Normally open: 2 Red

Common: 2 White

Switch #2:

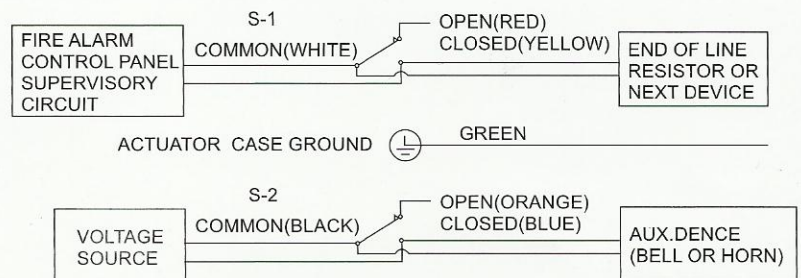
Auxiliary switch connected per authority

Normally closed: 1 Blue

Normally open: 1 Orange

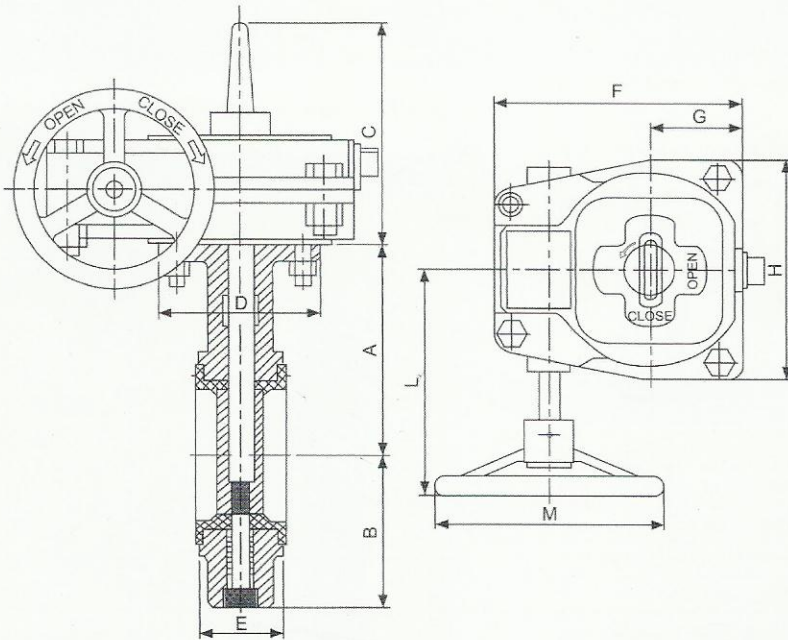
Common: 1 Black

Ground Lead: 1 Green



- NOTES
1. Item No. : VSION 021 C2
  2. Rated : 10A 125-250VAC

**Wafer Butterfly Valve**  
**Lever Operated 200 PSI, Gear Operated 300 PSI**  
**FIG · F0811-200, FIG · F0811-300**



**Material Specification**

Part Name		Material	EN Spec.	ASTM Spec.
Valve	Body	Ductile Iron	EN-JS1050	A536 65-45-12
	Disc	Ductile Iron	EN-JS1050	A536 65-45-12
	Shaft	Stainless Steel	BS970 431S29	AISI 431
	Bushing	Brass	CuZn39Pb3	B16 C36000
Gear Operator	Housing	Cast Iron	EN-JL1040	A126 Class B
	Cover	Cast Iron	EN-JL1040	A126 Class B
	Wormgear	Brass	CuZn39Pb3	B16 C36000
	Worm	Stainless Steel	BS970 420S37	AISI 420
	Handwhel	Cast Iron	EN-JI1040	A126 Class B

**Dimensions (mm/inch)**

Size	A	B	D	E	C	F	G	H	L	M
DN50	110	74	90	43	120	170	65	155	150	200
DN65	118	85	90	46						
DN80	130	95	90	46						
DN100	145	115	90	51.5						
DN125	160	130	90	56						
DN150	175	145	90	56.5	160	225	85	206	200	300
DN200	200	170	125	60						
DN250	250	208	125	68.5						
DN300	275	237.5	125	79.5						

## VERTICAL INDICATOR POST FIG. F0600-IP

### Specification

- Indicates if the valve is in the open or shut position.
- The indicator post provides a means to operate a buried or otherwise inaccessible valve.
- The adjustment range of the indicator post is 34.5" to suit the deeper buried valve and can be easily adjusted in the field.
- The wrench handle fits over a "U" bracket on the barrel, and may be fixed with a padlock to secure the operating wrench to the barrel.
- Can be supplied to open left or right.  
FM and UL approved.

### Material Specification

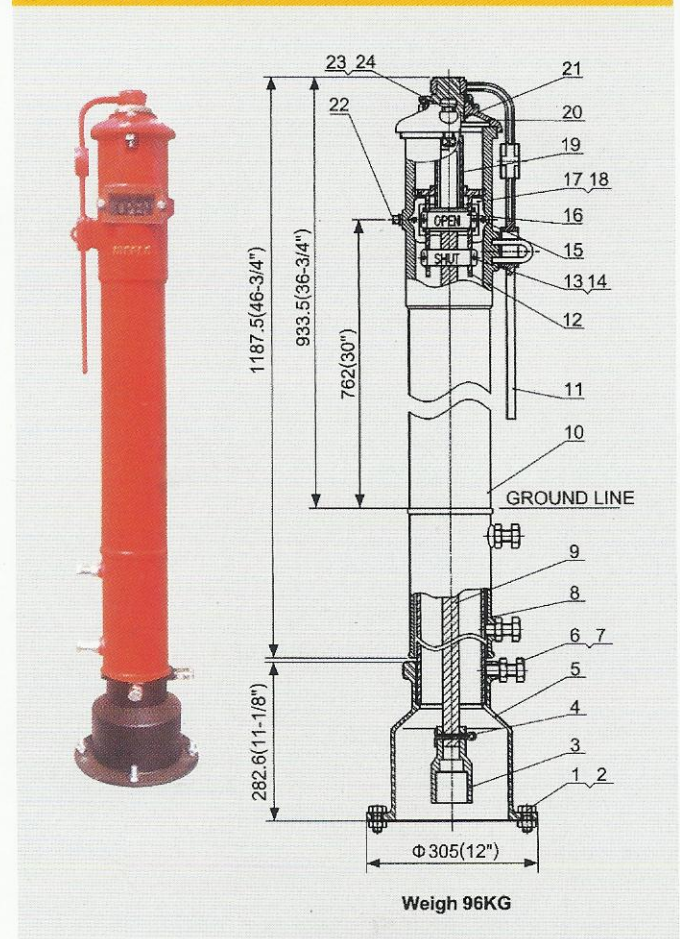
No.	Component	Material
1	Hex Cap Screw	Carbon Steel ASTM A307B
2	Hex Nut	Carbon Steel ASTM A307B
3	Crane Coupling	Ductile Iron ASTM A536 Gr. 65-45-12
4	Cotter Pin	Stainless Steel AISI 304
5	Base Flange	Cast Iron ASTM A126 Class B
6	Hex Nut	Carbon Steel ASTM A307B
7	Hex Cap Screw	Carbon Steel ASTM A307B
8	Standpipe	Carbon Steel ASTM A53
9	Stem 1" Square	Carbon Steel AIS11045
10	Body	Cast Iron ASTM A126 Class B
11	Locking Wrench	Bronze ASTM B62 C83600
12	Target Carrier Nut	Cast Iron ASTM A126 Class B Stainless Steel AISI 304
13	Hex Cap Screw	Carbon Steel ASTM A307B
14	Hex Nut	Carbon Steel ASTM A307B
15	Hex Cap Screw	Carbon Steel ASTM A307B
16	Target	Cast Aluminium
17	Window Glass	Plexiglass
18	Gasket	PTFE
19	Operating Nut	Bronze ASTM B62 C83600 Stainless Steel AISI 304
20	Top Section	Cast Iron ASTM A126 Class B
21	Snap Ring	Stainless Steel AIS11066
22	Plug	Malleable Iron
23	Square Nut	Carbon Steel ASTM A307B
24	Hex Cap Screw	Carbon Steel ASTM A307B

### Corrosion Protection

- Internally and externally red epoxy coated RAL3000.

**Notes:** Design and material are subject to change without notice.


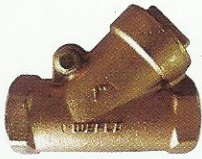



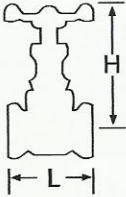
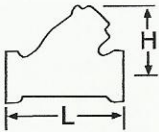
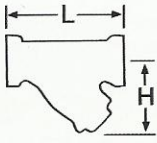
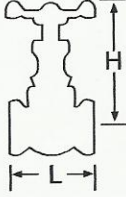
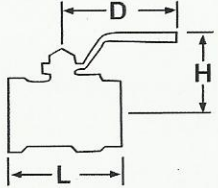
### Drawing and Picture



### Field Adjustment

- Remove the Top Section from the top of the Indicator Post assembly.
- Cut the required stem length and adjust the Standpipe to match up to the Ground Line.
- Set the "OPEN" and "SHUT" targets for the appropriate valve size.
- Reattach the Top Section to the top of the Indicator Post assembly.

## WEFLO BRONZE VALVE

Material List	GATE VALVE Fig.WZF-001	CHECK VALVE Fig.WZHF-001	Y - STRAINER Fig.WGLF-001	GLOBE VALVE Fig.WJZF-001	BALL VALVE Fig.WQF-002 ( FULL BORE )											
																
<b>Body</b>	Bronze	Bronze	Bronze	Bronze	Bronze											
<b>Steam</b>	Bronze	Bronze	-	Bronze	Bronze											
<b>Ball/Disc</b>	Bronze	Bronze	-	Bronze	Stainless steel											
<b>W.P</b>	16 bar	16 bar	16 bar	16 bar	600 psi											
<b>Service Condition</b>	250 psi WOG non-shock 125 psi Saturated Steam				4.13MPa (600psi) WOG non-shock											
<b>Seat</b>					PTFE											
<b>NOMINAL SIZE</b>	H	L	Weight	H	L	Weight	H	L	Weight	H	L	Weight	H	L	D	Weight
½	64	42	240	35	47	165	38	56.5	170	64	42	277	46	52	102	225
¾	70	45.5	320	36	55	210	46	68	230	70	45.5	397	54	58	103	300
1	90	50	470	41	61	300	59	78	340	90	50	616	57	68	125	455
1¼	98	54.5	630	46	70.5	520	67	96	580	98	54.5	956	62	82	128	700
1½	116	63	850	56	81	720	76	105	850	116	63	1215	82	87.5	149	910
2	136	69	1350	66	94	5100	95	125	1350	136	69	2010	92	106.5	150	1385
	DIMENSIONS UNIT : mm															
																

NRS GATE VALVE, METAL SEALED  
Size DN50-DN300

## FIG · 3184 A(JIS10K), FIG · 3184 B(PN16)-Stainless Steel Stem

### Specification

- Valves comply with EN1171-2002, MSS SP-70
- Metal seal.
- Inside screw.
- Adjustable stem seal.
- Available with handwheel or gearbox (bevel gearbox or spur gearbox.)
- Flange end JIS10K (FIG.3184A), PN16 (FIG.3184B)
- Face to face length in accordance with EN558-1 basic series 3 and ASME B16. 10-2000.

### Working Pressure

- 10 bar (FIG.3184A)
- 16 bar (FIG.3184B)

### Working Temperature

- -10°C to 120°C

### Corrosion Protection

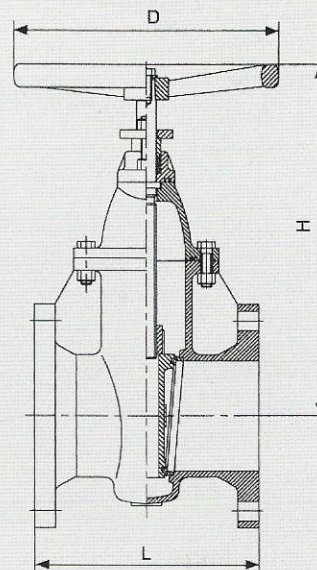
- Internally and externally liquid epoxy painted.

Notes: Design and material are subject to change without notice.

### Material Specification

Part Name	Materials	EN Spec.	ASTM Spec.
Body	Ductile Iron	EN-JS1050	ASTM A536 65-45-12
Body Trim	Bronze	EN1982 CC491K	ASTM B62 C83600
Wedge Trim	Bronze	EN1982 CC491K	ASTM B62 C83600
Wedge	Ductile Iron	EN-JS1050	ASTM A536 65-45-12
Wedge Nut	Bronze	EN1982 CC491K	ASTM B62 C83600
Stem	Stainless Steel	BS970 420S37	AISI 420
Bonnet	Ductile Iron	EN-JS1050	ASTM A536 65-45-12
Gasket	Graphite	Non-asbestos	Non-asbestos
Stuffing Box	Ductile Iron	EN-JS1050	ASTM A536 65-45-12
Packing	Graphite	Non-asbestos	Non-asbestos
Handwhell	Ductile Iron	EN-JS1050	ASTM A536 65-45-12

### Drawing and Picture



### Dimensions (mm)

Size	DN50	DN65	DN80	DN100	DN125	DN150	DN200	DN250	DN300
L	178	190	203	229	254	267	292	330	356
H	260	285	310	350	400	445	600	720	830
D	190	190	190	250	305	305	356	405	457
Weight(kg)	14	16	19	32	44	53	92	150	219

## OS&Y GATE VALVE , METAL SEALED Size DN50-DN300

### FIG · 3194A(JIS10K), FIG · 3194 B(PN16)-Stainless Steel Stem

#### Specification

- Valves comply with EN1171-2002 , MSS SP-70.
- Metal seat.
- Outside stem screw.
- Adjustable stem seal.
- Packing replaceable under pressure.
- Available with handwheel or gearbox (bevel or spur gearbox).
- Flange end JIS10K (FIG.3194A), PN16 (FIG.3194B)
- Face to face length in accordance with EN558-1 basic series 3 and ASME B16.10-2000.

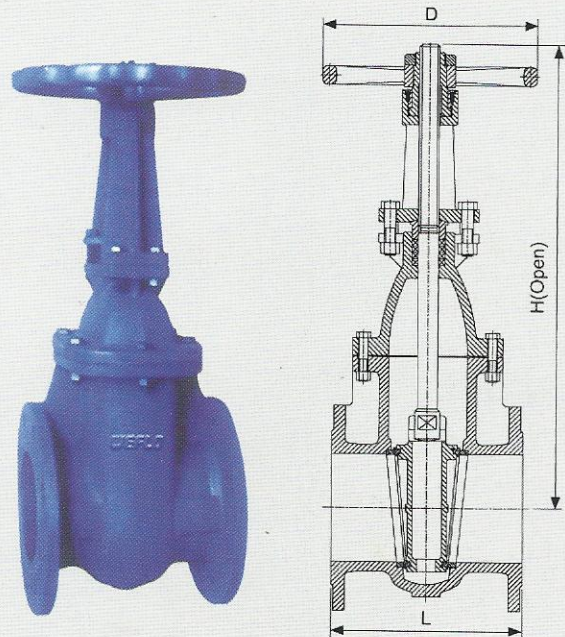
#### Working Pressure

- 10 bar (FIG.3194A)
- 16 bar (FIG.3194B)

#### Working Temperature

Part Name	Materials	EN Spec.	ASTM Spec.
Body	Ductile Iron	EN-JS11050	ASTM A536 45-12
Body Trim	Bronze	EN1982 CC491K	ASTM B62 C83600
Wedge Trim	Bronze	EN1982 CC491K	ASTM B62 C83600
Wedge	Ductile Iron	EN-JS1050	ASTM A536 45-12
Yoke Nut	Bronze	EN1982 CC491K	ASTM B62 C83600
Stem	Stainless Steel	BS979 420S37	AISI 420
Bonnet	Ductile Iron	EN-JS1050	ASTM A536 65-45-12
Gasket	Graphite	Non asbestos	Non-asbestos
Gland	Ductile Iron	EN-JS1050	ASTM A536 65-45-12
Yoke	Ductile Iron	EN-JS1050	ASTM A536 65-45-12
Packing	Graphite	Non-asbestos	Non-asbestos
Handwhell	Ductile Iron	EN-JS1050	ASTM A536 65-45-12

#### Drawing and Picture



#### Working Temperature

- -10°C to 120°C

#### Corrosion Protection

- Internally and externally liquid epoxy painted.

**Notes:** Design and material are subject to change without notice.

#### Dimensions (mm)

Size	DN50	DN65	DN80	DN100	DN125	DN150	DN200	DN250	DN300
L	178	191	203	229	254	267	292	330	356
H(Open)	375	435	455	556	650	760	997	1197	1395
D	190	190	190	250	305	305	356	405	457
Weight(kg)	18.5	21.5	27	37	45.5	61	102	166.5	241

## Y-STRAINER Size DN50-DN600

### FIG. 7101A(JIS10K), FIG. 7101B(PN16)

#### Specification

- NPT or BSPT blowoff outlet on cover. Blowoff outlets are finished with plugs.
- Screens are perforated 304 stainless steel with spot welded seam.
- Recessed seat in body assures accurate screen alignment
- Flange end JIS10K (FIG.7101A), PN16 (FIG.7101B)
- WRAS approved.

#### Working Pressure

- 10 bar (FIG.7101A)
- 16 bar (FIG.7101B)

#### Working Temperature

- -10°C to 120°C

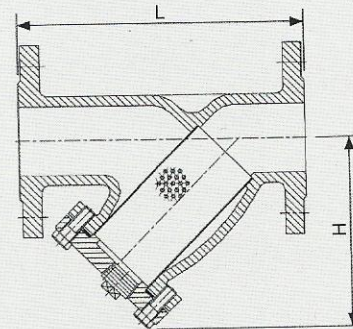
#### Corrosion Protection

- Internally and externally liquid epoxy painted or fusion bonded epoxy powder coated (FBE).

#### Material Specification

Part Name	Materials	EN Spec.	ASTM Spec.
Body	Cast Iron	EN-JL1040	ASTM A126 Class B
Cover	Cast Iron	EN-JL1040	ASTM A126 Class B
Screen	Stainless Steel	BS970 304S15	AISI 304
Gasket	Teflon / Graphite	Commercial	Commercial
Plug	Cast Iron	EN-JL1040	ASTM A126 Class B

#### Drawing and Picture



#### Standard Screens

Size	Hole Dia.	Free Flow Area
DN50 to 80	1.5mm	33%
DN100 to 600	3.0mm	40%

Notes: Design and material are subject to change without notice.

#### Dimensions (mm) for Fig.7101

Size	50	65	80	100	125	150	200	250	300	350	400	450	500	600
L	230	273	295	352	416	470	543	660	770	960	1079	1168	1275	1450
H	150	185	205	245	294	330	415	492	562	755	827	930	980	1170
Plug	1/2"	1"	1"	1"	1-1/4"	1-1/2"	1-1/2"	2"	2"	2"	2"	2"	2"	2"
Weight (kg)	10	26	23.5	34	52	70	110	185	295	458	556	627	780	1080

## GLOBE VALVE Size DN50-DN300

### FIG · 6123A(JIS10K), FIG · 6123B(PN16)

#### Specification

- Valves comply with EN13789, MSS SP-85.
- Metal seat.
- Adjustable stem seal.
- Packing replaceable under pressure.
- Flange end JIS10K (FIG.6123A), PN16 (FIG.6123B)
- Face to face length in accordance with EN558-1 basic series 10 and ASME B16.10-2000.

#### Working Pressure

- 10 bar (FIG.6123A)
- 16 bar (FIG.6123B)

#### Working Temperature

- -10°C to 120°C

#### Corrosion Protection

- Internally and externally liquid epoxy painted.

**Notes:** Design and material are subject to change without notice.

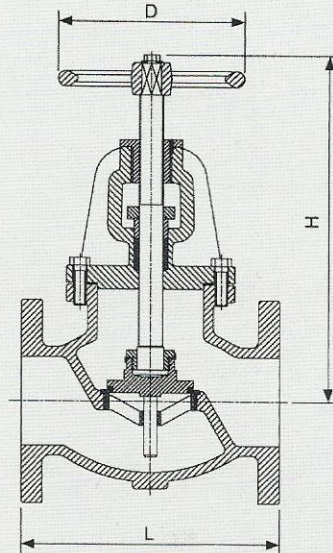
#### Material Specification

Part Name	Materials	EN Spec.	ASTM Spec.
Body*	Cast Iron	EN-JL 1040	ASTM A126 Class B
Bonnet*	Cast Iron	EN-JL 1040	ASTM A126 Class B
Body Trim	Bronze	En1982 CC491K	ASTM B62 C83600
Disc Trim	Bronze	En1982 CC491K	ASTM B62 C83600
Disc*	Cast Iron	EN-JL1040	ASTM A126 Class B
Stem	Stainless Steel	BS970 420S37	AISI 420
Packing	Graphite	Non-asbestos	Non-asbestos
Gasket	Graphite	Non-asbestos	Non-asbestos
Yoke Bushing	Brass	CuZn39Pb3	ASTM B16 C36000
Handwheel	Cast Iron	EN-JL1040	ASTM A126 Class B

#### Dimensions (mm)

Size	DN50	DN65	DN80	DN100	DN125	DN150	DN200	DN250	DN300
L	203	216	241	292	330	356	495	622	698
H	295	336	345	389	425	511	580	720	859
Plug	190	190	190	305	305	305	305	400	457
Weight (kg)	17	21	29	45	60	90	150	226	344

#### Drawing and Picture



## BALL VALVE Size DN15-DN200

### FIG · 4103-Comply with MSS standard

#### Specification

- Valves comply with DIN/NF/MSS SP-72.
- Low operating torque.
- Actuator-ready with top-flange in accordance to ISO5211-1.
- Flange end PN16

#### Working Pressure

- 16bar

#### Working Temperature

- -10°C to 120°C

#### Corrosion Protection

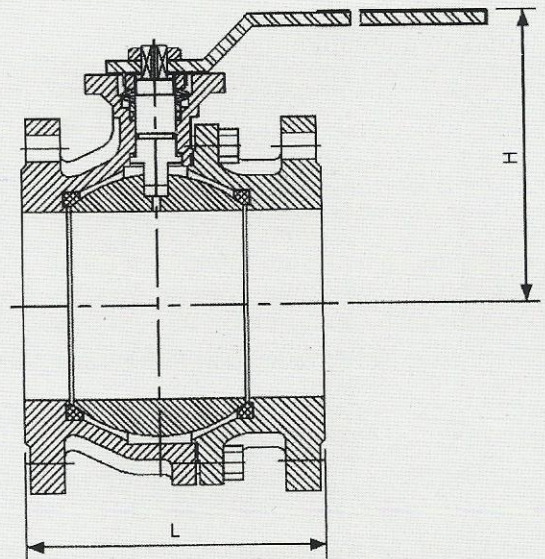
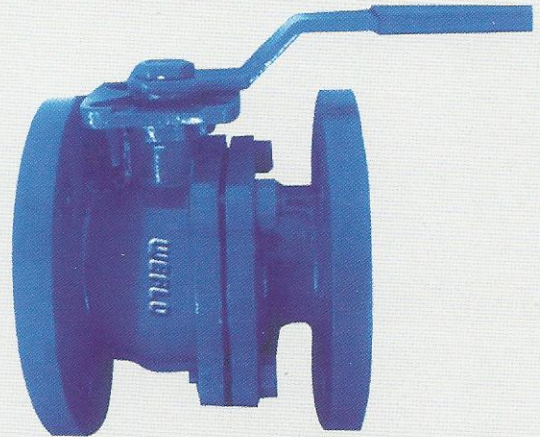
- Internally and externally liquid epoxy painted.

**Notes:** Design and material are subject to change without notice.

#### Material Specification

Component	Material	EN Spec.	ASTM Spec.
Body	Ductile Iron	EN-JS1050	ASTM A536 65-45-12
End Cap	Ductile Iron	EN-JS1050	ASTM A536 65-45-12
Ball	Stainlees Steel	BS970 304S15	AISI 304
Stem	Stainlees Steel	BS970 304S15	AISI 304
Body Seat	Teflon + Graphite	Commercial	Commercial
Packing	Teflon + Graphite	Commercial	Commercial
O-Ring	EPDM / Viton	Commercial	Commercial
Stopper	Stainless Steel	BS970 304S15	AISI 304
Handle	Carbon Steel	Mild Steel	Mild Steel

#### Drawing and Picture



#### Dimensions (mm)

Size	15	20	25	32	40	50	65	80	100	125	150	200
L (MSS)	108	117	127	140	165	178	191	203	229	254	268	292
H	70	75	85	105	110	115	130	140	155	195	240	325
Weight (kg)	2	3.2	4.1	5	6.5	9	14	18	26.4	34	42	50

## BASKET STRAINER

Size DN 50-DN600

### FIG · 7105(PN16), 7108(PN25)

#### Specification

- Flange end PN16 (Fig. 7105)
- Flange end PN25 (Fig. 7108)

#### Working Pressure

- Working Pressure 16 Bar (Fig 7105).
- Working Pressure 25 Bar (Fig 7108).

#### Working Temperature

- -10°C to 120°C.

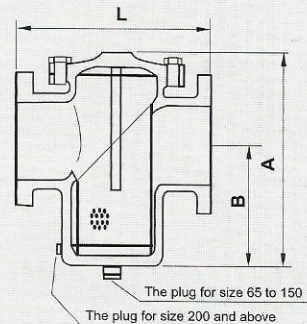
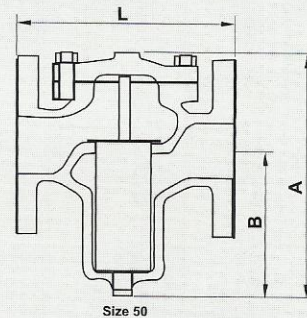
#### Standard Screens

Size	Hole Dia.	Free Flow Area
DN 50 to 80	1.5mm	33%
DN 100 to 600	3.0mm	40%

#### Material Specification

Part Name	Material	EN Spec.	ASTM Spec.	
Body	7105	Cast Iron	EN-JL1040	A125 Class B.
	7108	Ductile Iron	EN-JS10 50	A536 65-45-12
Cover	7105	Cast Iron	EN-JL1040	A125 Class B.
	7108	Ductile Iron	EN-JS10 50	A536 65-45-12
Screen	Stainless Steel	BS970 304S15	AISI 304	
Gasket	Teflon / Graphite	Commercial	Commercial	
Plug	7105	Cast Iron	EN-JL1040	A125 Class B.
	7108	Ductile Iron	EN-JS1050	A536 65-45-12

#### Drawing and Picture



#### Dimensions (mm)

Size	50	65	80	100	125	150	200	250	300	350	400	460	500	600
L	207	210	251	292	334	378	475	511	680	769	842	842	842	1054
A	225	250	295	330	370	400	510	665	760	930	980	1010	1110	1690
B	135	155	190	205	215	235	295	340	405	585	590	590	600	1175
Plug	1/2"	3/4"	3/4"	1"	1"	1"	1-1/2"	1-1/2"	2"	2"	2"	2"	2"	2"

NRS GATE VALVE , METAL SEALED  
Size DN50-DN600

## FIG · 3124(PN25)-Stainless Steel Stem

### Specification

- Valves comply with EN1171-2002 , MSS SP-70.
- Metal seat.
- Inside stem screw.
- Adjustable stem seal.
- Available with handwheel or gearbox (bevel or spur gearbox).
- Flange end PN25
- Face to face length in accordance with EN558-1 basic series 3 and ASME B16.10-2000.

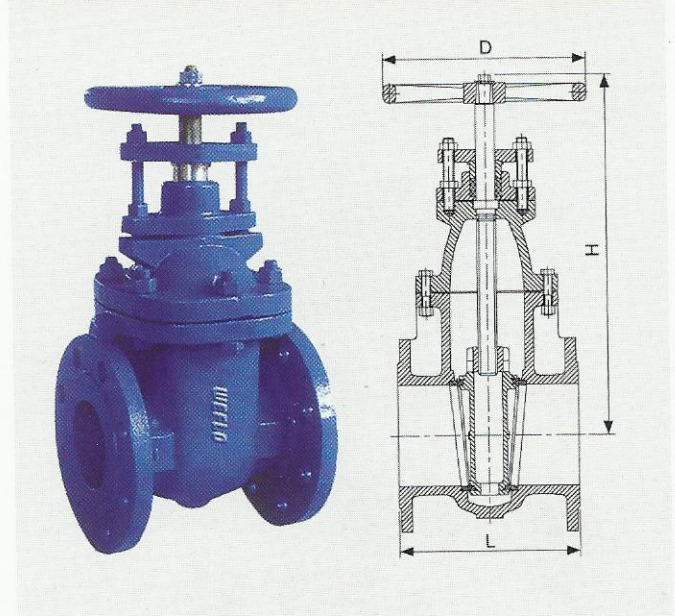
### Working Pressure

- 25bar for EN1171 valves
- 300psi for MSS SP-70 valve size 2"to 12"
- 250psi for MSS SP-70 valve size 14"and above

### Material Specification

Part Name	Materials	EN Spec.	ASTM Spec.
Body	Ductile Iron	EN-JS11050	ASTM A536 45-12
Body Trim	Bronze	EN1982 CC491K	ASTM B62 C83600
Wedge Trim	Bronze	EN1982 CC491K	ASTM B62 C83600
Wedge	Cast Iron	EN-JL1040	ASTM A126 Class B
Wedge Nut	Bronze	EN1982 CC491K	ASTM B62 C83600
Stem	Stainless Steel	BS970 420S37	AISI 420
Bonnet	Cast iron	EN-JI1040	ASTM A126 Class B
Gasket	Graphite	Non-asbestos	Non-asbestos
Stuffing Box	Cast Iron	EN-JL1040	ASTM A126 Class B
Packing	Graphite	Non-asbestos	Non-asbestos
Handwheel	Cast Iron	EN-JL1040	ASTM A126 Class B

### Drawing and Picture



### Working Temperature

- -10°C to 120°C

### Corrosion Protection

- inside and outside liquid epoxy painting.

**Notes:** Design and material are subject to change without notice.

### Dimensions (mm)

Size	DN50	DN65	DN80	DN100	DN125	DN150	DN200	DN250	DN300
L	178	191	203	229	254	267	292	330	356
H	327	322	340	420	477	542	668	750	835
D	190	190	190	250	305	305	356	405	457
Weight(kg)	20.0	23.5	28.4	48.2	68.0	81.8	135.0	213.2	313.6

Size	DN350	DN400	DN450	DN500	DN600
L	381	406	432	457	508
H(Open)	1015	1120	1210	1250	1390
D	508	558	610	610	762
Weight(kg)	400.0	610.0	800.0	980.0	1320.0

## OS&Y GATE VALVE , METAL SEALED Size DN50-DN600

### FIG · 3114(PN25)-Stainless Steel Stem

#### Specification

- Valves comply with EN1171-2002 , MSS SP-70.
- Metal seat.
- Outside stem screw.
- Adjustable stem seal.
- Packing replaceable under pressure.
- Available with handwheel or gearbox (bevel or spur gearbox).
- Flange end PN25
- Face to face length in accordance with EN558-1 basic series 3 and ASME B16.10-2000.

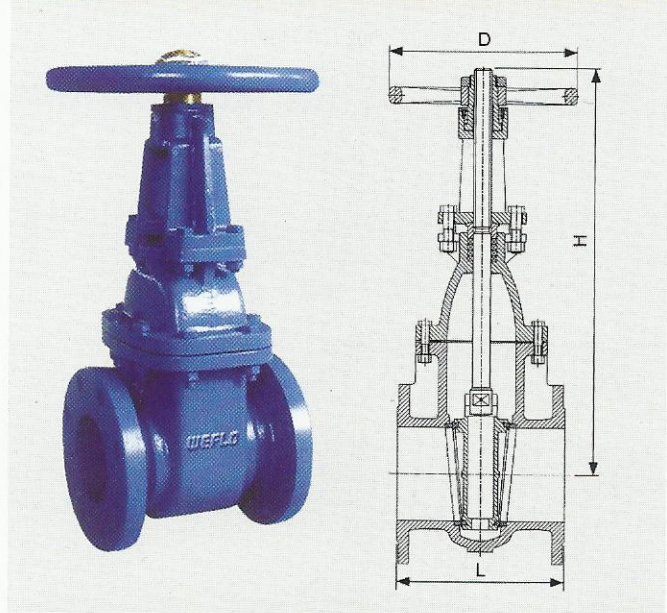
#### Working Pressure

- 25bar for EN1171 valves
- 300psi for MSS SP-70 valve size 2"to 12"
- 250psi for MSS SP-70 valve size 14"and above

#### Material Specification

Part Name	Materials	EN Spec.	ASTM Spec.
Body	Ductile Iron	EN-JS11050	ASTM A536 45-12
Body Trim	Bronze	EN1982 CC491K	ASTM B62 C83600
Wedge Trim	Bronze	EN1982 CC491K	ASTM B62 C83600
Wedge	Cast Iron	EN-JL1040	ASTM A126 Class B
Yoke Nut	Bronze	EN1982 CC491K	ASTM B62 C83600
Stem	Stainless Steel	BS970 420S37	AISI 420
Bonnet	Cast Iron	EN-JI1040	ASTM A126 Class B
Gasket	Graphite	Non-asbestos	Non-asbestos
Stuffing Box	Cast Iron	EN-JL1040	ASTM A126 Class B
Packing	Graphite	Non-asbestos	Non-asbestos
Handwheel	Cast Iron	EN-JL1040	ASTM A126 Class B

#### Drawing and Picture



#### Working Temperature

- -10°C to 120°C

#### Corrosion Protection

- Internally and externally liquid epoxy painted.

**Notes:** Design and material are subject to change without notice.

#### Dimensions (mm)

Size	DN50	DN65	DN80	DN100	DN125	DN150	DN200	DN250	DN300
L	178	191	203	229	254	267	292	330	356
H(Open)	405	415	486	632	710	842	1100	1228	1373
D	190	190	190	250	305	305	356	405	457
Weight(kg)	22.0	24.1	29.5	53.2	70.0	95.8	160.4	251.0	365.0

Size	DN350	DN400	DN450	DN500	DN600
L	381	406	432	457	508
H(Open)	1595	1900	2210	2600	3040
D	508	558	610	610	762
Weight(kg)	450.0	696.0	950.0	950.0	1520.0

**SWING CHECK VALVE**  
**FIG · 5101A(JIS10K), 5101B(PN16)**

**Specification**

- Valves comply with EN 12334, BS5153, MSS SP-71 or AWWA C508.
- Globe shape to provide full flow with low pressure drop.
- Suitable for mounting in horizontal and vertical position (with vertical flow upwards).
- Flange end JIS10K(Fig.5101A), PN16(Fig.5101B)
- (Other type available on request).

**Working Pressure**

- 10 Bar ( Fig.5101A )
- 16 Bar ( Fig.5101B )

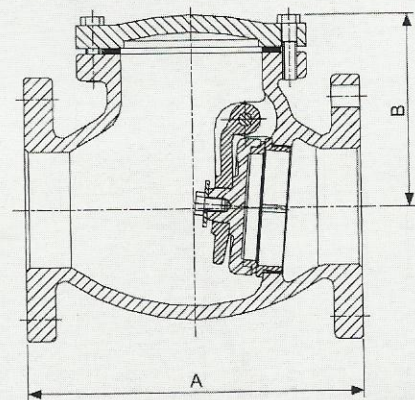
**Working Temperature**

- -10°C to 120°C for Bronze

**Material Specification**

Part Name	Materials	EN Spec.	ASTM Spec.
Body*	Cast Iron	EN-JL1040	ASTM A126 Class B
Cover*	Cast Iron	EN-JL1040	ASTM A126 Class B
Side Plug	Brass	CuZn39Pb3	ASTM A126 C36000
Hanger Pin	Stainless Steel	BS970 420S37	AISI 420
Hanger	Ductile Iron	EN-JS1050	ASTM A536 65-45-12
Disc*	Cast Iron	EN-JL1040	ASTM A126 Class B
Disc Trim	Bronze	EN1982 CC491K	ASTM A126 C83600
Body Trim	Bronze	EN1982 CC491K	ASTM B62 C83600
Gasket	Graphite	Non-Asbestos	Non-asbestos

**Drawing and Picture**



**Corrosion Protection**

- Internally and externally liquid epoxy painted or fusion bonded epoxy powder coated (FBE).

**Notes:** Design and material are subject to change without notice.

**Dimensions (mm)**

Size	50	65	80	100	125	150	200	250	300	350	400	450	500	600
A	203	216	241	292	330	356	495	622	699	787	914	914	1016	1219
B	125	137	147	166	190	217	265	300	342	402	472	500	514	605
Weight(kg)	11.5	13	17	25	40	50	58.3	218	282	500	680	780	1000	1600

## SWING CHECK VALVE

### FIG · 5101-25

#### Specification

- Valves comply with EN 12334, BS5153, MSS SP-71 or AWWA C508.
- Globe shape to provide full flow with low pressure drop.
- Suitable for mounting in horizontal and vertical position (with vertical flow upwards).
- Flange end PN25
- (Other type available on request).

#### Working Pressure

- Size 50mm—600mm 25Bar
- Size 50mm—300mm 30Bar

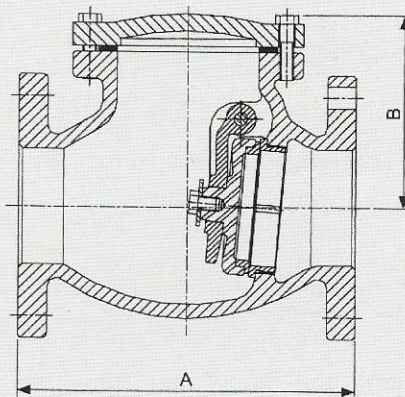
#### Working Temperature

- -10°C to 120°C for Bronze or EPDM disc trim
- -10°C to 82°C for NBR disc trim

#### Material Specification

Part Name	Materials	EN Spec.	ASTM Spec.
Body*	Ductile Iron	EN-JS11050	ASTM A536 45-12
Cover*	Ductile Iron	EN-JS11050	ASTM A536 45-12
Side Plug	Brass	CuZn39Pb3	ASTM A126 C36000
Hanger Pin	Stainless Steel	BS970 420S37	AISI 420
Hanger	Ductile Iron	EN-JS1050	ASTM A536 65-45-12
Disc*	Cast Iron	EN-JL1040	ASTM A126 Class B
Disc Trim	Bronze	EN1982 CC491K	ASTM A126 C83600
	EPDM/NBR	Commercial	Commercial
Body Trim	Bronze	EN1982 CC491K	ASTM B62 C83600
Gasket	Graphite	Non-Asbestos	Non-asbestos

#### Drawing and Picture



#### Corrosion Protection

- Internally and externally liquid epoxy painted or fusion bonded epoxy powder coated (FBE).

**Notes:** Design and material are subject to change without notice.

#### Dimensions (mm)

Size	50	65	80	100	125	150	200	250	300	350	400	450	500	600
A	203	216	241	292	330	356	495	622	699	787	914	914	1016	1219
B	125	137	147	166	190	217	265	300	342	402	472	500	514	605
Weight(kg)	11.5	13	17	25	40	50	58.3	218	282	500	680	780	1000	1600

## Y-STRAINER Size DN50-DN600

### FIG. 7102-PN25

#### Specification

- NPT or BSPT blowoff outlet on cover. Blowoff outlets are finished with plugs.
- Screens are perforated 304 stainless steel with spot welded seam.
- Recessed seat in body assures accurate screen alignment.
- Flange end PN25
- WRAS approved.

#### Working Pressure

- Size 50mm—600mm 25Bar
- Size 50mm—300mm 30Bar

#### Working Temperature

- -10°C to 120°C

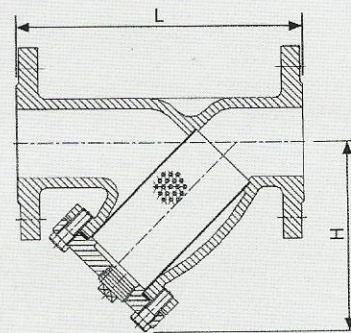
#### Corrosion Protection

- Internally and externally liquid epoxy painted or fusion bonded epoxy powder coated (FBE).

#### Material Specification

Part Name	Materials	EN Spec.	ASTM Spec.
Body	Ductile Iron	EN-JL1050	ASTM A536 65-4512
Cover	Ductile Iron	EN-JL1050	ASTM A536 65-4512
Screen	Stainless Steel	BS970 304S15	AISI 304
Gasket	Teflon / Graphite	Commercial	Commercial
Plug	Ductile Iron	EN-JL1050	ASTM A536 65-4512

#### Drawing and Picture



#### Standard Screens

Size	Hole Dia.	Free Flow Area
DN50 to 80	1.5mm	33%
DN100 to 600	3.0mm	40%

Notes: Design and material are subject to change without notice.

#### Dimensions (mm) for Fig.7102

Size	50	65	80	100	125	150	200	250	300
L	225	287	305	369	441	495	556	692	798
H	146	170	198	238	285	305	401	473	554
Plug	1/2"	1"	1"	1"	1-1/4"	1-1/2"	1-1/2"	2"	2"
Weight (kg)	12.7	19	24.5	50	73	102	167	268	404

## GLOBE VALVE Size DN50-DN300

### FIG · 6123(PN25)-Stainless Steel Stem

#### Specification

- Valves comply with EN13789, MSS SP-85.
- Metal seat.
- Adjustable stem seal.
- Packing replaceable under pressure.
- Flange end PN25
- Face to face length in accordance with EN558-1 basic series 10 and ASME B16.10-2000.

#### Working Pressure

- Size 50mm—600mm 25Bar
- Size 50mm—300mm 30Bar

#### Working Temperature

- -10°C to 120°C

#### Corrosion Protection

- Internally and externally liquid epoxy painted.

**Notes:** Design and material are subject to change without notice.

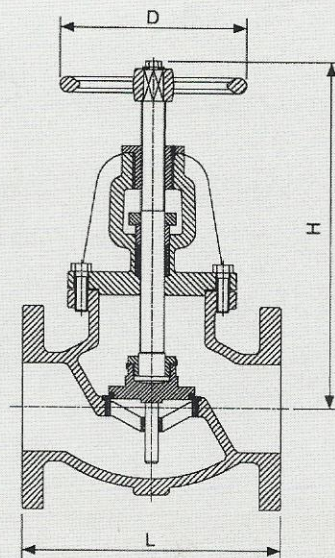
#### Material Specification

Part Name	Materials	EN Spec.	ASTM Spec.
Body*	Ductile Iron	EN-JS11050	ASTM A536 45-12
Bonnet*	Ductile Iron	EN-JS11050	ASTM A536 45-12
Body Trim	Bronze	En1982 CC491K	ASTM B62 C83600
Disc Trim	Bronze	En1982 CC491K	ASTM B62 C83600
Disc*	Ductile Iron	EN-JS11050	ASTM A536 45-12
Stem	Stainless Steel	BS970 420S37	AISI 420
Packing	Graphite	Non-asbestos	Non-asbestos
Gasket	Graphite	Non-asbestos	Non-asbestos
Yoke Bushing	Brass	CuZn39Pb3	ASTM B16 C36000
Handwheel	Cast Iron	EN-JL1040	ASTM A126 Class B

#### Dimensions (mm)

Size	DN50	DN65	DN80	DN100	DN125	DN150	DN200	DN250	DN300
L	203	216	241	292	330	356	495	622	698
H	295	336	345	389	425	511	580	720	859
Plug	190	190	190	305	305	305	305	400	457
Weight (kg)	17	21	29	45	60	90	150	226	344

#### Drawing and Picture



## WAFER BUTTERFLY VALVE Size DN50-DN600

### FIG · 2302(PN16)-SS Disc, FIG · 2304(PN16)-DI Disc

#### Specification

- Valves comply with EN593, BS5155, MSS SP-67.
- Replaceable rubber liner for size DN50 to DN300.
- Vulcanized rubber liner for size DN350 to DN600.
- With 4 locating holes for easier installation and centering.
- Actuator-ready with top-flange in accordance with ISO5211-1
- Handle or gearbox operated.
- Flange end PN16
- WRAS approved.

#### Working Pressure

- 16bar

#### Working Temperature

- -10°C to 120°C for EPDM liner
- -10°C to 82°C for NBR liner
- -10°C to 150°C for Viton liner

#### Material Protection

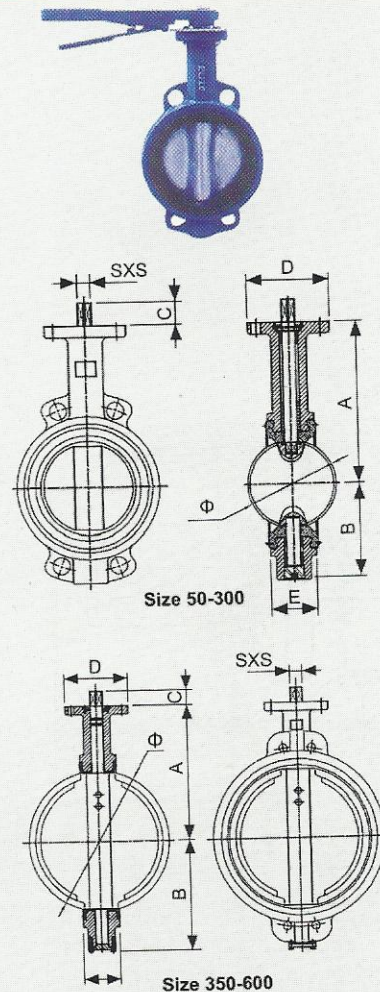
- Internally and externally liquid epoxy or fusion bonded epoxy powder coated (FBE).

Notes: Design and material are subject to change without notice.

#### Material Specification

Part Name	Material	EN Spec.	ASTM Spec.
Body*	Cast Iron	EN-JL1040	ASTM A126 Class B
Shaft	Stainless Steel	BS970 420S37	AISI 420
	Stainless Steel	BS970 304S15	A351 CF8
Disc	Ductile Iron Chrome Plated or FBE Coated	EN-JS1050	ASTM A536 65-45-12
	PTFE	Commercial	Commercial
Bushing	EPDM/NBR/Viton	Commercial	Commercial
Liner	EPDM/NBR/Viton	Commercial	Commercial
O-Ring	EPDM/NBR/Viton	Commercial	Commercial

#### Drawing and Picture



#### Dimensions (mm)

Size	50	65	80	100	125	150	200	250	300	350	400	450	500	600	
A	161	175	181	200	215	225	241	296	336	368	400	422	480	562	
B	80	91	95	115	134	138	174	198	234	288	315	340	388	450	
C	30	30	30	30	30	30	30	30	30	45	45	45	45	45	
D	90	90	90	90	90	90	125	125	125	150	175	175	210	210	
E	43	45	46	51.5	56	56.5	60	68.5	79.5	78	88	109	127	154	
Φ	56.8	71.5	83	101.5	127.8	151.1	200.5	250.8	300.5	335.5	393.5	443.5	500.5	600.8	
SxS	11x11		14x14			17x17			22x22		27x27			Φ48	
Top Flange	F07	F07	F07	F07	F07	F07	F10	F10	F10	F12	F14	F14	F16	F16	
Weight (kg)	4.4	5.4	5.6	7.4	10	12.2	16.9	26.3	36.3	66.7	110	130.5	157.3	222	

## WAFER SILENT CHECK VALVE

Size DN50-DN350

### FIG · 5312(PN16)-SS

#### Specification

- The design is for liquid service and offers many obvious advantages when compared with conventional swing check valve.
- Spring automatically closes disc at zero flow before flow reversal occurs. This prevents surge and water hammer.
- Completely guided disc both top and bottom.
- Soft sealed for perfect tightness even at low differential pressure.
- Flange end PN16

#### Working Pressure

- 16bar

#### Working Temperature

- -10°C to 120°C for EPDM seat O-ring
- -10°C to 82°C for NBR seat O-ring
- -10°C to 150°C for viton seat O-ring

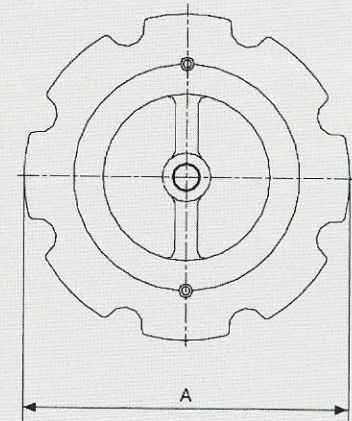
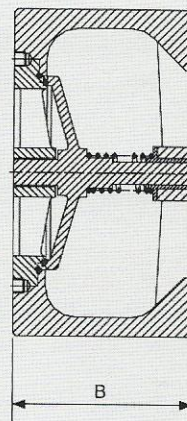
#### Corrosion Protection

- Internally and externally liquid epoxy painted or fusion bonded epoxy powder coated (FBE).

#### Material Specification

Part Name	Materials	EN Spec.	ASTM Spec.
Body*	Cast Iron	EN-JL1040	A126 Class B
Seat	Stainless Steel	BS970 304S15	A351 CF8
	Bronze	EN1982 CC491K	B62 C83600
Disc	Stainless Steel	BS970 304S15	A351 CF8
	Bronze	EN1982 CC491K	B62 C83600
Spring	Stainless Steel	BS970 304S15	AISI 304
Bushing	Bronze	EN1982 CC491K	B62 C83600
Screw	Stainless Steel	BS970 304S15	AISI 304
Seat O-ring	EPDM/NBR/Viton	Commercial	Commercial

#### Drawing and Picture



**Notes:** In Ductile Iron construction for PN25 or Class250.  
Design and material are subject to change without notice.

#### Dimensions (mm)

Size		50	65	80	100	125	150	200	250	300	350
A	ANSI 125# & 250# Flange	113	127	146	188	213	248	340	410	415	478
	PN16 & PN25 Flange	113	127	150	167	213	248	340	410	415	478
B		67	73	80	102	118	140	165	216	286	350
Weight (kg)		2.8	4	6	9.2	14.5	22	32.5	56	98	140

## BALANCING VALVE Size DN50-DN300 PN16

### FIG · 1209(PN16) Flanged End

#### Specification

- Inside screw, non-rising stem.
- EPDM coated disk for size DN50 to DN200, DN250 and DN300 valves are SS304 disk with coated EPDM sealed ring.
- Back seating feature.
- Can be set in conjunction with flow charts.
- Two test points located on each valve.
- Flange end PN16
- Groove to Metric or AWWA C606 standard.
- Face to face length in accordance with EN558-1 basic series 1.

#### Working Pressure

- 16bar

#### Working Temperature

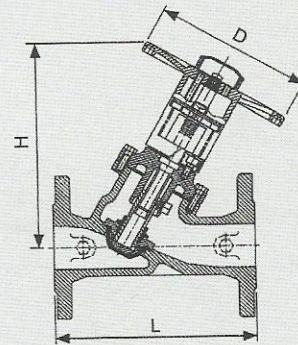
- -10°C to 120°C

#### Corrosion Protection

- Internally and externally liquid epoxy painted or fusion bonded epoxy powder coated (FBE).

**Notes:** Design and material are subject to change without notice.

#### Drawing and Picture



#### Material Specification

Part Name	Materials	EN Spec.	ASTM Spec.
Body	Ductile Iron	EN-JS1050	ASTM A536 65-45-12
Disc	DN50-200	DI+EPDM Coated	EN-JS1050
	DN250-300	Stainless Steel with Coated EPDM Sealed Ring	BS970 304S15
Disc Nut	Brass	CuZn39Pb3	A351 CF8
Stem	Stainless Steel	BS970 420S37	ASTM B16 C36000
O-Ring	EPDM	Commercial	ANSI 420
Bonnet	Ductile Iron	EN-JS1050	Commercial
Gasket	EPDM	Commercial	ASTM A536 65-45-12
Handwheel	Ductile Iron	EN-JS1050	Commercial
			ASTM A536 65-45-12

#### Dimensions (mm)

Size	50	65	80	100	125	150	200	250	300
L	230	290	310	350	400	480	600	730	850
H	260	293	305	323	353	388	453	554	566
D	180	180	180	180	260	260	260	450	450
OD	60.3	73.0/76.1	88.9	114.3	139.7/141.3	165.1/168.3	219.1	273.0	323.9
Weight(kg)	12	17	24.5	30	49	62.5	100	195	315

## WAFER DOUBLE DOOR CHECK VALVE

Size DN50-DN350

### FIG · 5306(PN16)

#### Specification

- The short face to face dimension and compact design of this valve allow installation and service in tight spaces.
- Spring assisted for better dynamic behaviour.
- Soft sealed for perfect tightness even at low differential pressure.
- Flange end PN16
- WRAS approval.

#### Working Pressure

- 16bar

#### Working Temperature

- -10°C to 120°C for EPDM seat
- -10°C to 82°C for NBR seat
- -10°C to 150°C for Viton seat

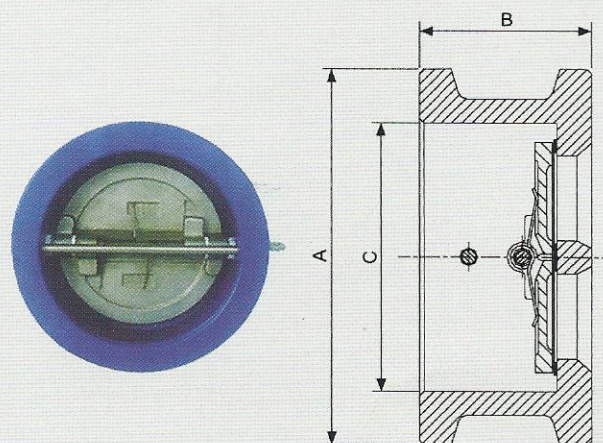
#### Corrosion Protection

Part Name	Materials	EN Spec.	ASTM Spec.
Body	Cast Iron	EN-JL1040	ASTM A126 ClassB
Disc	Stainless Steel	BS970 304S15	A351 CF8
Seat	EPDM/NBR/Viton	Commercial	Commercial
Hinge Pin	Stainless Steel	BS970 420S37	AISI 420
Stop Pin	Stainless Steel	BS970 420S37	AISI 420
Pin Retainer	Stainless Steel	BS970 304S15	AISI 304
Spring	Stainless Steel	BS970 304S15	AISI 304
Washer	PTFE	Commercial	Commercial
Gasket	EPDM/NBR/Viton	Commercial	Commercial

#### Material Specification

Size	A			B	C	Weight (kg)
	Table D/E Flange	ANSI 125# Flange	EN1092-2 PN16 Flange			
50	96	102	106	54	66	1.8
65	109	121	126	54	78	2.4
80	126	134	141	57	90	3.2
100	158	172	161	64	115	4.8
125	190	194	191	70	141	7.3
150	210	220	217	76	170	10
200	267	277	272	95	210	14.2
250	331	337	327	108	273	23.6
300	379	407	382	143	324	37.5
350	445	447	442	184	356	62
400	493	511	494	191	406	74
450	559	546	554	203	457	100
500	616	602	616	213	508	155
600	723	715	733	222	600	215

#### Drawing and Picture



#### Corrosion Protection

- Internally and externally liquid epoxy painted or fusion bonded epoxy powder coated (FBE).

**Notes:** Design and material are subject to change without notice.