



SUPRAMAS

High Quality uPVC Pipe



KATALOG PIPA, TALANG & FITTING

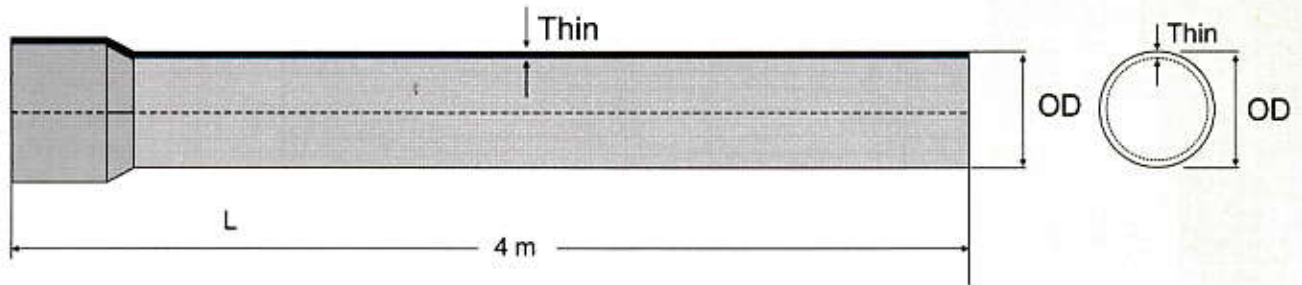




SUPRAMAS

High Quality uPVC Pipe

SUPRAMAS high quality uPVC pipe adalah pipa uPVC yang diproduksi menggunakan mesin-mesin modern dan melalui quality control yang ketat untuk memenuhi kebutuhan masyarakat tentang perpipaan yang berkualitas dan ekonomis. Pipa SUPRAMAS memiliki ciri-ciri khusus. Tipe AW bergaris biru, tipe D bergaris Merah dan tipe C bergaris Hijau.



Keunggulan :

- Kuat, tahan lama dan tidak mudah pecah
- Tahan bahan kimia*
- Ramah lingkungan
- Bersifat insulator
- Tahan korosi

Spesifikasi :

- **Tipe AW**, bertekanan tinggi sampai tekanan 10 kg/cm³
- **Tipe D**, bertekanan tinggi sampai tekanan 5 kg/cm³
- **Tipe C**, tidak bertekanan

Aplikasi :

- Saluran air bersih
- Saluran pembuangan & limbah
- Saluran irigasi
- Pipa ventilasi

Sistem penyambungan :

Solvent Cement Joint (SCJ) Mof

Sertifikat :



* Syarat dan ketentuan berlaku

SUPRAMAS PUTIH	Diameter		Tebal Dinding (mm)			Panjang (m)
	Nominal (inch - mm)	Diameter Luar (mm)	AW (10 Kg/cm ²)	D (5 Kg/cm ²)	C (Tidak bertekanan)	
	5/8" - 13	17	-	-	0,58	4
	1/2" - 16	22	1,6	-	0,85	4
	3/4" - 20	26	1,7	-	0,85	4
	1" - 25	32	1,8	-	0,85	4
	1 1/4" - 32	42	2,00	1,10	0,95	4
	1 1/2" - 40	48	2,00	1,10	0,95	4
	2" - 50	60	2,10	1,10	0,95	4
	2 1/2" - 65	76	2,30	1,20	1,05	4
	3 - 75	89	2,90	1,50	1,15	4
	4 - 100	114	3,70	1,80	1,20	4
	5 - 125	140	4,90	2,30	-	4
	6 - 150	165	5,90	2,70	-	4
	8 - 200	215	7,60	3,80	-	4
	10 - 250	267	8,90	4,70	-	4
	12 - 300	318	10,60	5,70	-	4
	14 - 350 New	370	12,00	8,00	-	4
	16 - 400 New	420	13,00	9,00	-	4
	20 - 500 New	520	-	13,80	-	4

SUPRAMAS ABU-ABU	Diameter		Tebal Dinding (mm)			Panjang (m)
	Nominal (inch - mm)	Diameter Luar (mm)	AW (10 Kg/cm ²)	D (5 Kg/cm ²)	C (Tidak bertekanan)	
	5/8" - 13	17	-	-	0,68	4
	1/2" - 16	22	1,6	-	0,85	4
	3/4" - 20	26	1,7	-	0,85	4
	1" - 25	32	1,8	-	0,85	4
	1 1/4" - 32	42	2,00	1,10	0,95	4
	1 1/2" - 40	48	2,00	1,10	0,95	4
	2" - 50	60	2,10	1,10	0,95	4
	2 1/2" - 65	76	2,30	1,20	1,05	4
	3 - 75	89	2,90	1,50	1,15	4
	4 - 100	114	3,70	1,80	1,20	4
	5 - 125	140	4,90	2,30	-	4
	6 - 150	165	5,90	2,70	-	4
	8 - 200	215	7,60	3,80	-	4
	10 - 250	267	8,90	4,70	-	4
	12 - 300	318	10,60	5,70	-	4
	14 - 350 New	370	12,00	8,00	-	4
	16 - 400 New	420	13,00	9,00	-	4
	20 - 500 New	520	-	13,80	-	4

CONDUIT PIPE	Ukuran	Diameter Luar
	1/2	20 mm



● FITTING TS - AW

KNEE - TS

	Ukuran	Isi/Dus	
	1/2"	350	New
3/4"	288	New	
1"	150	New	
1 1/4"	-	New	
1 1/2"	-	New	
2"	-	New	
2 1/2"	-	New	
3"	-	New	
4"	-	New	

SOCKET - TS

	Ukuran	Isi/Dus	
	1/2"	450	
3/4"	325		
1"	280	New	
1 1/4"	166	New	
1 1/2"	106	New	
2"	62	New	
2 1/2"	106	New	
3"	-	New	
4"	-	New	

FAUCET SOCKET - TS

	Ukuran	Isi/Dus
	1/2"	650
3/4"	400	
1"	264	
1/2 X 3/4"	264	

FAUCET KNEE - TS

	Ukuran	Isi/Dus
	1/2"	450
3/4"	300	
1/2" x 3/4"	200	

REDUCER SOCKET - TS

	Ukuran	Isi/Dus
	3/4 x 1/2"	350
1" x 1/2"	430	
1" x 3/4"	350	
1 1/2" x 1"	250	

TEE - TS

	Ukuran	Isi/Dus
	1/2"	350
3/4"	250	
1"	130	
1 1/4"	65	
1 1/2"	53	
2"	24	
2 1/2"	42	
3"	10	
4"	5	

WATER UNION - TS

	Ukuran	Isi/Dus
	1/2"	160
3/4"	95	
1"	110	
3/4" x 1/2"	80	

VALVE SOCKET - TS

	Ukuran	Isi/Dus
	1/2"	500
3/4"	300	
1"	350	
1 1/4"	225	
1 1/2"	180	
2"	100	
1 x 3/4"	-	New
1 x 1/2"	-	New


TEE Y - TS

	Ukuran	Isi/Dus
	4" x 2"	15
4"	7	New
6" x 4"	5	New

END CAP/DOP - TS

	Ukuran	Isi/Dus
	1/2"	600
3/4"	400	
1"	200	
1 1/4"	-	New
1 1/2"	228	New

REDUCER TEE - TS

	Ukuran	Isi/Dus
	3/4" x 1/2"	240
1" x 1/2"	126	
1" x 3/4"	126	

FAUCET TEE - TS

	Ukuran	Isi/Dus
	1/2"	296
3/4"	203	
1/2" X 3/4"	236	

● FITTING DV - D

TEE Y - DV

	Ukuran	Isi/Dus	
	2" x 45°	80	New
3" x 45°	25	New	
4" x 45°	12	New	
2" x 90°	95	New	
3" x 90°	28	New	
4" x 90°	15	New	
4" x 2" x 45°	17	New	
4" x 2" x 90°	17	New	
4" x 3" x 45°	14	New	
4" x 3" x 90°	16	New	

KNEE - DV

	Ukuran	Isi/Dus
	1 1/4"	750
1 1/2"	500	
2"	290	
2 1/2"	135	
3"	90	
4"	44	
5"	-	New
6"	-	New
8"	-	New

SOCKET - DV

	Ukuran	Isi/Dus
	1 1/4"	-
1 1/2"	-	New
2"	606	
2 1/2"	312	
3"	180	
4"	90	
6"	22	New
8"	8	New

TEE - DV

	Ukuran	Isi/Dus
	1 1/4"	316
1 1/2"	240	
2"	180	
2 1/2"	100	
3"	58	
4"	32	
6"	-	New
8"	-	New

KNEE 45° - DV

	Ukuran	Isi/Dus
	3" x 45°	-
4" x 45°	-	New

END CAP/DOP - DV

	Ukuran	Isi/Dus
	2"	-
2 1/2"	-	New
3"	-	New
4"	-	New
6"	-	New
8"	-	New

REDUCER SOCKET - DV

	Ukuran	Isi/Dus
	3" x 2"	360
3" x 2 1/2"	138	
4" x 2"	90	
4" x 2 1/2"	98	
4" x 3"	155	
6" x 3"	47	
6" x 4"	46	

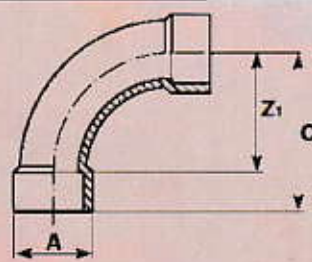
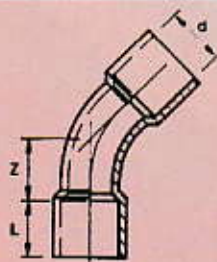
P-TRAP - DV

	Ukuran	Isi/Dus
	2"	12

● **BEND** *New Product*

Bend 45°	Ukuran	Type	
		AW	D
	2 x 45°	•	•
	2 1/2 x 45°	•	•
	3 x 45°	•	•
	4 x 45°	•	•
	5 x 45°	•	•
	6 x 45°	•	•
	8 x 45°	•	•
	10 x 45°	•	•
	12 x 45°	•	•

Bend 90°	Ukuran	Type	
		AW	D
	2 x 90°	•	•
	2 1/2 x 90°	•	•
	3 x 90°	•	•
	4 x 90°	•	•
	5 x 90°	•	•
	6 x 90°	•	•
	8 x 90°	•	•
	10 x 90°	•	•
	12 x 90°	•	•



● **FITTING JIS TS - AW (Standart K 6743)** *New Product*

KNEE JIS TS - AW

	Ukuran	Isi/Dus
	1/2"	320
	3/4"	224
	1"	132
	2"	27

SOCKET JIS TS - AW

	Ukuran	Isi/Dus
	1/2"	540
	3/4"	330
	1"	207
	2"	42

● **FITTING DRAT KUNINGAN** *New Product*

FAUCET TEE DRAT KUNINGAN

	Ukuran	Isi/Dus
	1/2 X 1/2"	232
	1/2 X 3/4"	154
	3/4 X 3/4"	154

FAUCET SOCKET DRAT KUNINGAN

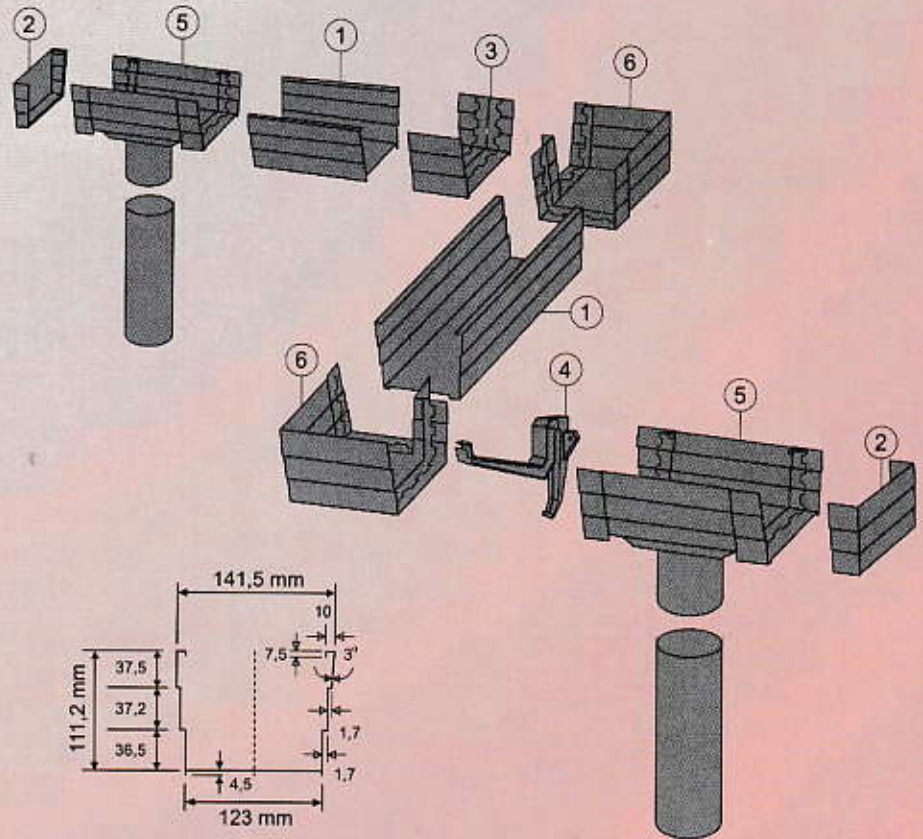
	Ukuran	Isi/Dus
	1/2 X 1/2"	500
	1/2 X 3/4"	288
	3/4 X 3/4"	288

FAUCET KNEE DRAT KUNINGAN

	Ukuran	Isi/Dus
	1/2 X 1/2"	360
	1/2 X 3/4"	252
	3/4 X 3/4"	252

TALANG AIR KOTAK - TLK

1		Type	Isi/Ikat
	Profile - Talang	TLK 140	4
2		Type	Isi/Dus
	Caps - Tutup	TLK 140	200
3		Type	Isi/Dus
	Union - Sambungan	TLK 140	175
4		Type	Isi/Dus
	Bracket - Kaitan	TLK 140	250
5		Type	Isi/Dus
	Outlet - Corong	TLK 140	26
6		Type	Isi/Dus
	Angle - Siku	TLK 140	42



TALANG AIR SETENGAH LINGKARAN - TLB

1		Type	Isi/Ikat
	Profile - Talang	TLB-6	4
		TLB-8	4
2		Type	Isi/Dus
	Caps - Tutup	TLB-6	400
		TLB-8	200
3		Type	Isi/Dus
	Union - Sambungan	TLB-6	400
		TLB-8	200
4		Type	Isi/Dus
	Outlet - Corong	TLB-6	36
		TLB-8	16
5		Type	Isi/Dus
	Angle - Siku	TLB-6	90
		TLB-8	33

