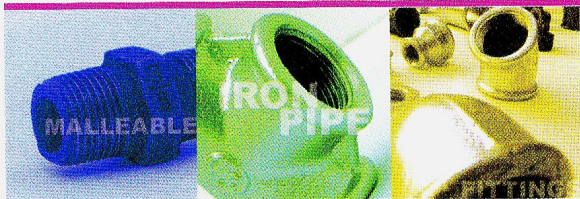


JZ Malleable cast iron pipe fittings





INTRODUCTION OF OUR PRODUCTION



JIANZHI is located in Shanghai city. Its site is the center of a triangular zone surrounded by 3 famous cities, Beijing, Tianjin, and Tangshan.

We have an employment of 2000, and advanced equipment of 300 sets. First of our production are JIANZHI brand malleable pipefitting, with a wide range of models, DN 10~100mm(3/8" ~ 4"), and standards of DIN/China-GB/QT. We adopt techniques of sand casting, lost foam casting, cupola, and electric furnace as well. Our annual yield is 20,000 tons, and is one of the biggest manufactures of our field in China.

We apply ourselves to high-tech development and usage. We have achieved 25 items of innovation, including JSS Fuel-saving Annealing Furnace, High-temperature Furnace Closing --- advanced technique of heat treatment to black heart malleable iron, New Type Malleable Iron Pipe fitting, etc.

Our company's policy set full emphasis on quality assurance and quality control. It designed by itself "Chain Quality Control System", and obtained high fame award from the Chinese Agriculture Bureau, as "1st Award of Advanced Enterprise Management Innovation". Our products are entitled as "Good-fame Products of Shanghai Province", and "High Quality Products of Shanghai Province". Our brand JIANZHI is listed as the famous trade marks of Shanghai province. We are ISO9001:2000 certificated.

Constant improvement and accounts' satisfaction are our everlasting goal management.

JIANZHI brand products enjoy good fame and sell well in most of our domestic markets, especially in Beijing, Tianjin, Shanghai, Liaoing, Hebei, Shandong, etc. As well, our products are of popular need in Europe, America, and South-east Asia.

We produce malleable pipe fitting of 2 standards. For general requirement, we supply GB/T 3287-2000 eqv ISO 49:1994. And also, we design and produce pipe fitting, stricly according to Q/TM05-2003.

Prescribed by Q/TM05-2003, it is a series of new models. Based on the requirement of mechanical properties and performance, we designed another version of reasonable dimensions. It brings about modern of art shape, better apperance, and better of no-worse properties than the relative international modern standards. It was granted as Chinese National Advanced Product in 1996.

***Usage**

Our pipe fitting is suitable to pipelines conveying less-corrosive water, vapor, oil, air, gas, and other liquid alike materials.

***Size**

DN 10~100mm(3/8"~4"), with equal or different diameters.

***Mechanical Properties**

Tensile Strength $\geq 33 \text{ kg/mm}^2$, Elongation rate $\geq 8\%$; Hardness $\leq \text{HB } 150$.

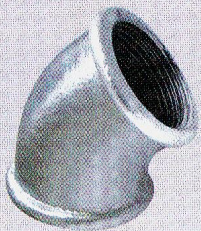
***Endurance**

Testing Pressure : 25 kg/cm^2 (=355 lbs/in²) for water lackage,
 5 kg/cm^2 (=71 lbs/in²) for gas lackage;

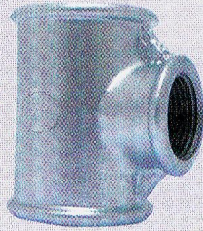
Working Pressure : 16 kg/cm^2 (=277 lbs/in²).



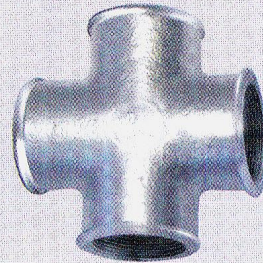
Elbows 90°, Beaded, Equal



Elbows 45°, Beaded, Equal



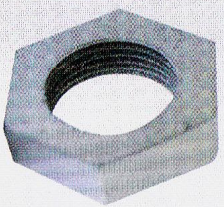
Tees, Beaded, Reducing



Crosses, Beaded, Equal



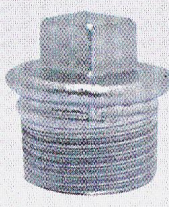
Elbows, Beaded, Reducing 90°



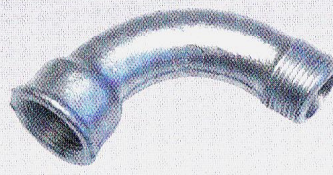
Back Nuts



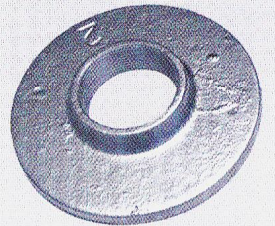
Bushings M & F



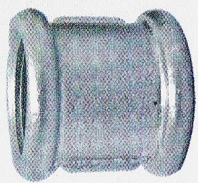
Plugs, Beaded



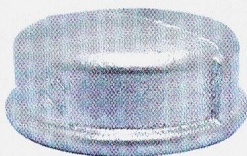
Bends, 90°, M. & F.



Round Flanges, Light Pattern, With Put Bolt Hole



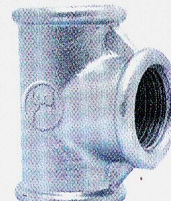
Sockets, Beaded, With Ribs, Right Threads



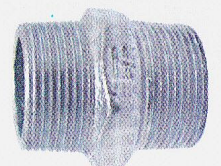
Round Cap, Beaded



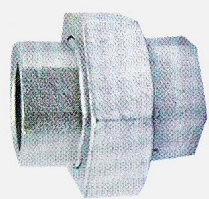
Concentric Reducing Sockets, Beaded with Ribs



Tees, Beaded, Equal



Nipples Equal, Right Hand Thread



Union, Flat Seat, Without Gasket



Nipples Equal, Right Hand Thread



Concentric Reducing Sockets, Beaded with Ribs



Bushings M & F



Elbows 90°, Beaded, Equal



Plugs, Plain



Tees, Beaded, Equal



Unions, Flat Seat, Without Gasket



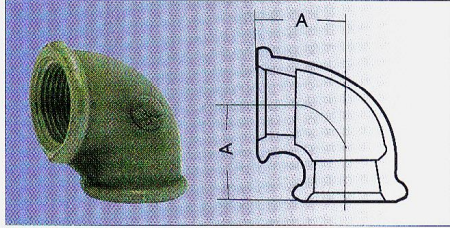
Sockets, Beaded, With Ribs, Right Threads



Tees, Beaded, Reducing

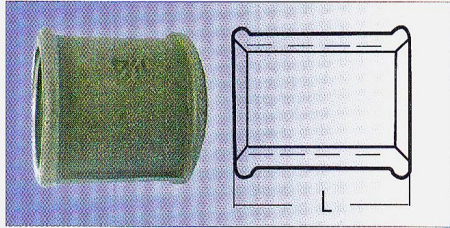
Specification & Main Size of Pipe Fittings

Elbows, 90°, Beaded, Equal



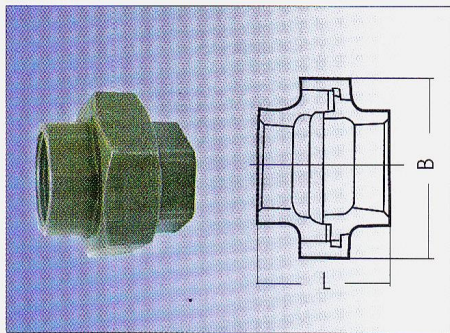
Nominal Size (in)	1/4	3/8	1/2	3/4	1	1 1/4	1 1/2	2	2 1/2	3	4	5	6
A mm	19	23	27	32	38	46	48	57	69	78	97	113	132

Sockets, Beaded, with Ribs, Right Hand Threads



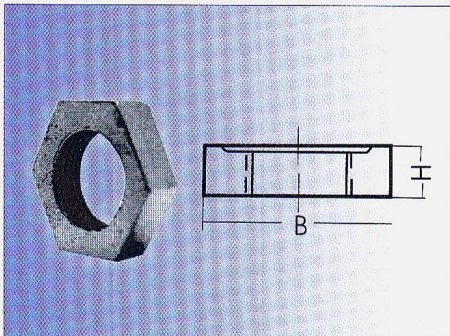
Nominal Size (in)	1/4	3/8	1/2	3/4	1	1 1/4	1 1/2	2	2 1/2	3	4	5	6
L mm	25	28	34	38	44	50	54	60	70	75	85	95	105

Unions, Flat Seat, Without Gasket



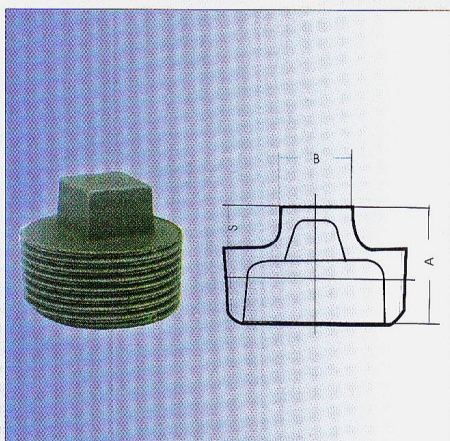
Nominal Size (in)	1/4	3/8	1/2	3/4	1	1 1/4	1 1/2	2	2 1/2	3	4	5	6
B mm	32	38	44	51	60	70	80	94	115	130	160	190	220
L mm	8	9	9	10	11	12	13	15	17	18	22	25	30

Back Nuts



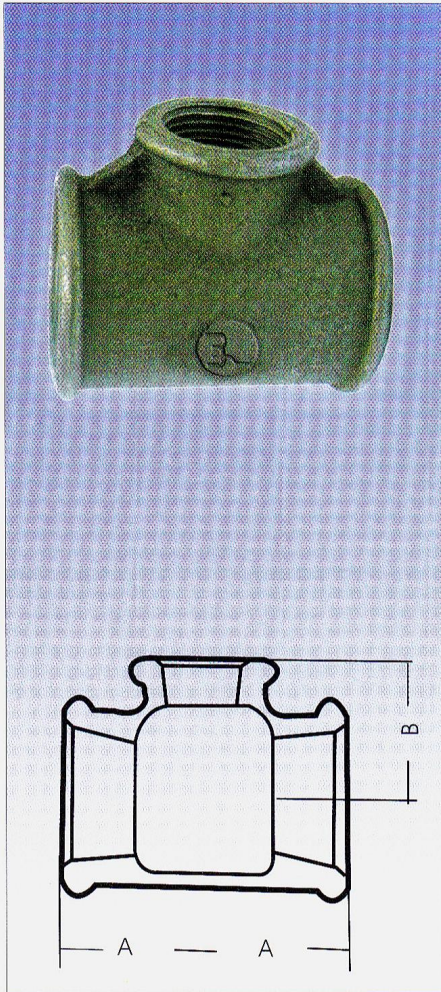
Nominal Size (in)	1/4	3/8	1/2	3/4	1	1 1/4	1 1/2	2	2 1/2	3	4	5	6
B mm	21	26	32	38	46	54	63	77	100	115	145	172	200
H mm	8	9	9	10	11	12	13	15	17	18	22	25	30

Plugs, Plain



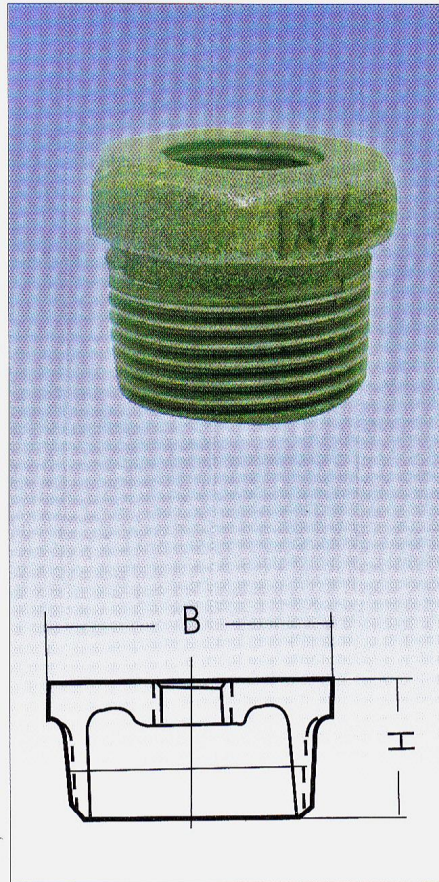
Nominal Size (in)	1/4	3/8	1/2	3/4	1	1 1/4	1 1/2	2	2 1/2	3	4	5	6
A mm	17	20	23	26	29	33	34	39	46	50	58	65	69
B mm	8	9	10	12	16	18	19	23	29	34	44	50	52
S mm	8	9	10	11	12	13	14	15	18	19	22	25	28

Tees, Beaded, Reducing



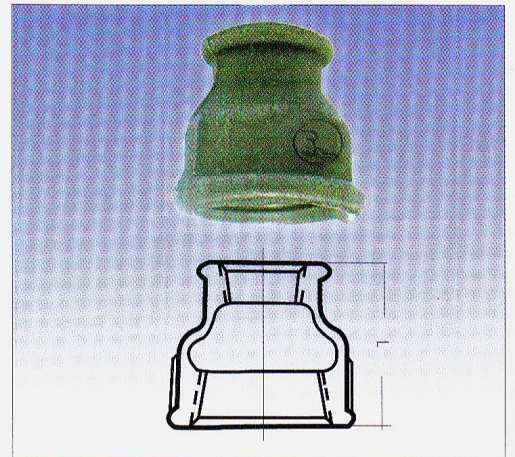
Nominal Size (in)	A mm	B mm	Nominal Size (in)	A mm	B mm
1/2 x 3/8	26	25	2 1/2 x 2	60	65
3/4 x 1/2	29	30	3 x 1	51	68
1 x 1/2	32	33	3 x 1 1/4	56	70
1 x 3/4	34	35	3 x 1 1/2	57	71
1 1/4 x 1/2	34	38	3 x 2	62	72
1 1/4 x 3/4	38	40	3 x 2 1/2	72	75
1 1/4 x 1	40	42	4 x 1	57	83
1 1/2 x 1/2	35	42	4 x 1 1/4	61	86
1 1/2 x 3/4	38	43	4 x 1 1/2	63	86
1 1/2 x 1	41	45	4 x 2	69	88
1 1/2 x 1 1/4	45	48	4 x 2 1/2	78	90
2 x 1/2	38	48	4 x 3	83	91
2 x 3/4	41	49	5 x 2	72	103
2 x 1	41	51	5 x 2 1/2	81	105
2 x 1 1/4	48	54	5 x 3	87	107
2 x 1 1/2	52	55	5 x 4	100	111
2 1/2 x 1/2	41	57	6 x 2	75	115
2 1/2 x 3/4	44	59	6 x 2 1/2	85	118
2 1/2 x 1	48	61	6 x 3	92	120
2 1/2 x 1 1/4	53	63	6 x 4	102	125
2 1/2 x 1 1/2	55	62	6 x 5	116	128

Bushing, M. & F.



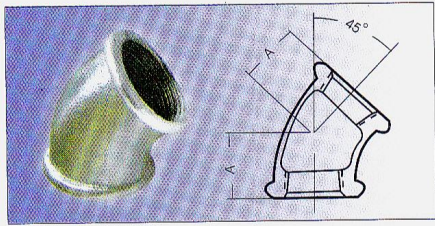
Nominal Size (in)	B mm	H mm	Nominal Size (in)	B mm	H mm
1/2 x 3/8	25	20	3 x 1 1/2	92	40
3/4 x 1/2	30	23	3 x 2	92	40
1 x 1/2	37	26	3 x 2 1/2	92	40
1 x 3/4	37	26	4 x 1	117	47
1 1/4 x 1/2	46	29	4 x 1 1/4	117	47
1 1/4 x 3/4	46	29	4 x 1 1/2	117	47
1 1/4 x 1	46	29	4 x 2	117	47
1 1/2 x 1/2	52	31	4 x 2 1/2	117	47
1 1/2 x 3/4	52	31	4 x 3	117	47
1 1/2 x 1	52	31	5 x 1	114	52
1 1/2 x 1 1/4	52	31	5 x 1 1/4	114	52
2 x 1/2	64	33	5 x 1 1/2	114	52
2 x 3/4	64	33	5 x 2	114	52
2 x 1	64	33	5 x 2 1/2	114	52
2 x 1 1/4	64	33	5 x 3	114	52
2 x 1 1/2	64	33	5 x 4	114	52
2 1/2 x 1/2	80	37	6 x 1	169	57
2 1/2 x 3/4	80	37	6 x 1 1/4	169	57
2 1/2 x 1	80	37	6 x 1 1/2	169	57
2 1/2 x 1 1/4	80	37	6 x 2	169	57
2 1/2 x 1 1/2	80	37	6 x 2 1/2	169	57
2 1/2 x 2	80	37	6 x 3	169	57
3 x 1	92	40	6 x 4	169	57
3 x 1 1/4	92	40	6 x 5	169	57

Concentric Reducing Socket, Beaded, with Ribs



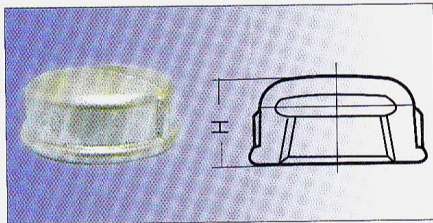
Nominal Size (in)	L mm	Nominal Size (in)	L mm
1/2 x 3/8	34	3 x 1	72
3/4 x 1/2	38	3 x 1 1/4	72
1 x 1/2	42	3 x 1 1/2	72
1 x 3/4	42	3 x 2	72
1 1/4 x 1/2	48	4 x 1	85
1 1/4 x 3/4	48	4 x 1 1/4	85
1 1/4 x 1	48	4 x 1 1/2	85
1 1/2 x 1/2	52	4 x 2	85
1 1/2 x 3/4	52	4 x 2 1/2	85
1 1/2 x 1	52	4 x 3	85
1 1/2 x 1 1/4	52	5 x 1	95
2 x 1/2	58	5 x 1 1/4	95
2 x 3/4	58	5 x 1 1/2	95
2 x 1	58	5 x 2	95
2 x 1 1/4	58	5 x 2 1/2	95
2 x 1 1/2	58	5 x 3	95
2 1/2 x 1/2	65	5 x 4	95
2 1/2 x 3/4	65	6 x 2	105
2 1/2 x 1	65	6 x 3	105
2 1/2 x 1 1/4	65	6 x 4	105
2 1/2 x 1 1/2	65	6 x 5	105
2 1/2 x 2	65		

Elbows, 45°, Beaded, Equal



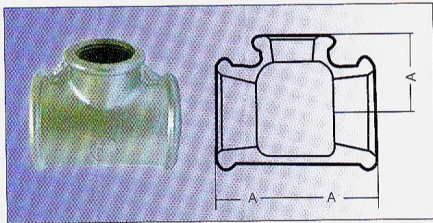
Nominal Size (in)	1/4	3/8	1/2	3/4	1	1 1/4	1 1/2	2	2 1/2	3	4	5	6
A mm	17	19	21	25	29	34	37	42	49	54	65	74	82

Round Caps, Beaded



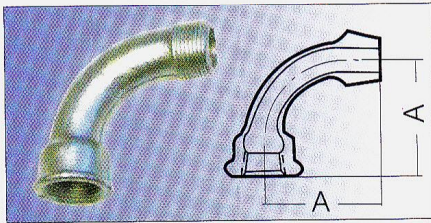
Nominal Size (in)	1/4	3/8	1/2	3/4	1	1 1/4	1 1/2	2	2 1/2	3	4	5	6
H mm	16	17	19	23	27	29	31	35	41	44	53	56	63

Tees, Beaded, Equal



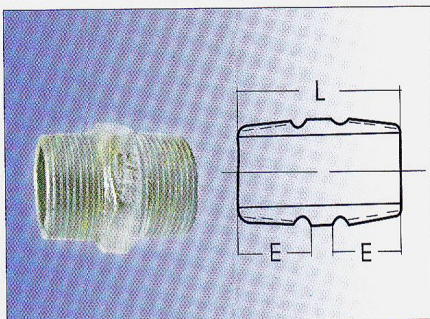
Nominal Size (in)	1/4	3/8	1/2	3/4	1	1 1/4	1 1/2	2	2 1/2	3	4	5	6
A mm	19	23	27	32	38	46	48	57	69	78	97	113	132

Bends, 90°, M & F



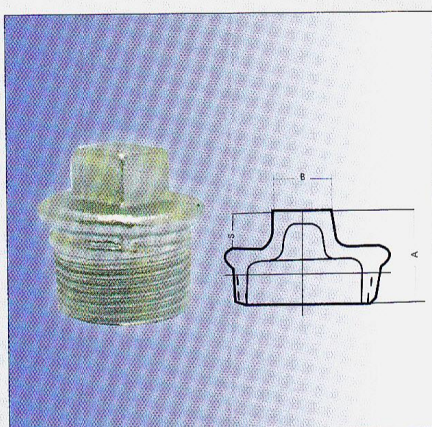
Nominal Size (in)	1/4	3/8	1/2	3/4	1	1 1/4	1 1/2	2	2 1/2	3	4	5	6
A mm	38	44	52	65	82	100	115	150	175	205	260	318	375

Nipples Equal, Right Hand Threads



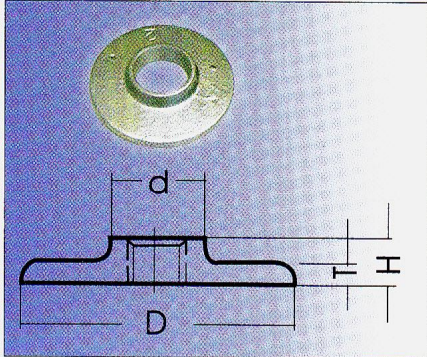
Nominal Size (in)	1/4	3/8	1/2	3/4	1	1 1/4	1 1/2	2	2 1/2	3	4	5	6
L mm	34	37	41	47	52	56	60	66	74	80	92	106	118
E mm	13	14	16	19	20.5	22.5	24	26	29	32	37	43	48

Plugs, Beaded



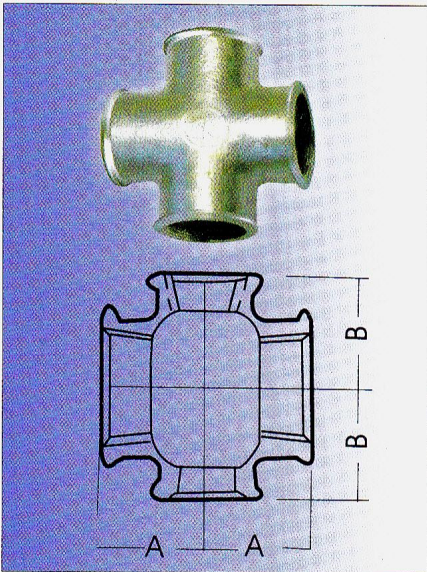
Nominal Size (in)	1/4	3/8	1/2	3/4	1	1 1/4	1 1/2	2	2 1/2	3	4	5	6
A mm	20	23.5	26.5	29.5	33	37.5	39	45	52.5	57	66.5	74.5	80
B mm	8	9	10	12	16	18	19	23	29	34	44	50	52
s mm	8	9	10	11	12	13	14	15	18	19	22	25	28

Round Flanges, Light Pattern, With Put Bolt Hole



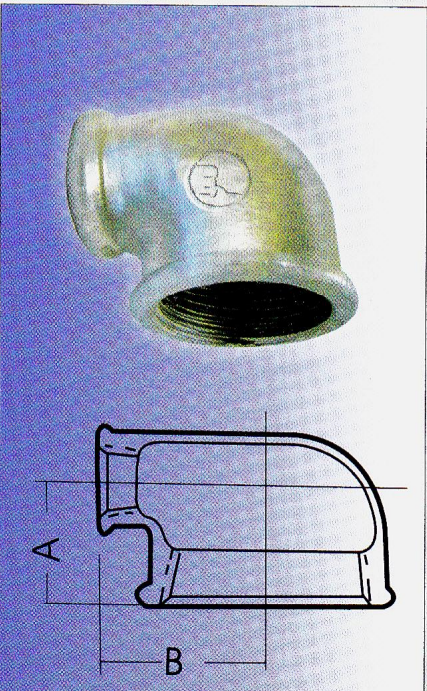
Nominal Size (in)	1/4	3/8	1/2	3/4	1	1 1/4	1 1/2	2	2 1/2	3	4	5	6
D mm	60	75	85	100	110	120	133	150	165	184	216	254	280
d mm	19	23	27	37	41	50	56	69	86	99	127	154	182
H mm	9	10	12	14	16	18	19	21	24	26	30	32	35
T mm	5	5	5	6	6	6	7	7	9	10	11	12	13

Crosses, Beaded, Equal

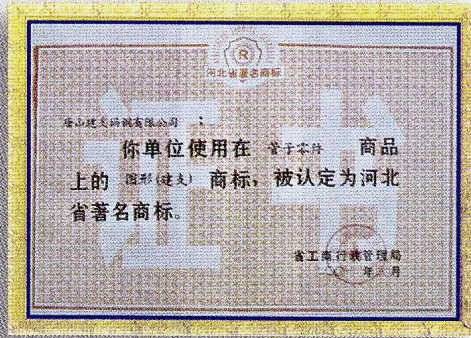
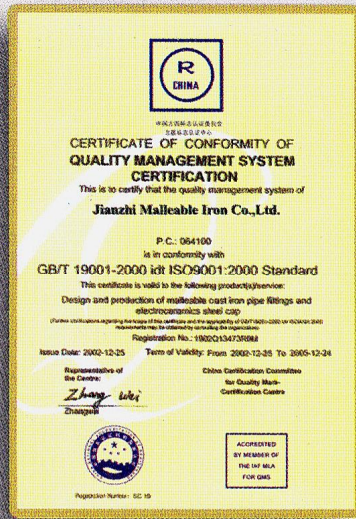


Nominal Size (in)	A mm	B mm	Nominal Size (in)	A mm	B mm	Nominal Size (in)	A mm	B mm	Nominal Size (in)	A mm	B mm
1/2 x 3/8	26	25	1 1/2 x 3/4	38	43	2 1/2 x 3/4	44	59	3 x 2	62	72
3/4 x 1/2	29	30	1 1/2 x 1	41	45	2 1/2 x 1	48	61	3 x 2 1/2	72	75
1 x 1/2	32	33	1 1/2 x 1 1/4	45	48	2 1/2 x 1 1/4	53	63	4 x 1	57	83
1 x 3/4	34	35	2 x 1/2	38	48	2 1/2 x 1 1/2	55	62	4 x 1 1/4	61	86
1 1/4 x 1/2	34	38	2 x 3/4	41	49	2 1/2 x 2	60	65	4 x 1 1/2	63	86
1 1/4 x 3/4	38	40	2 x 1	44	51	3 x 1	51	68	4 x 2	69	88
1 1/4 x 1	40	42	2 x 1 1/4	48	54	3 x 1 1/4	56	70	4 x 2 1/2	78	90
1 1/2 x 1/2	35	42	2 x 1 1/2	52	55	3 x 1 1/2	57	71	4 x 3	83	91

Elbows, Beaded, Reducing, 90°



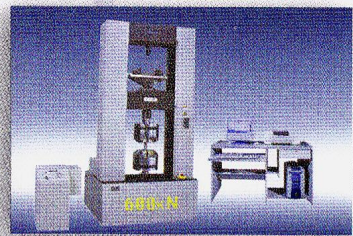
Nominal Size (in)	A mm	B mm	Nominal Size (in)	A mm	B mm	Nominal Size (in)	A mm	B mm	Nominal Size (in)	A mm	B mm
1/2 x 3/8	26	25	1 1/2 x 1	41	45	2 1/2 x 1	48	61	4 x 1	57	83
3/4 x 1/2	29	30	1 1/2 x 1 1/4	45	48	2 1/2 x 1 1/4	53	63	4 x 1 1/4	61	86
1 x 1/2	32	33	2 x 1/2	38	48	2 1/2 x 1 1/2	55	62	4 x 1 1/2	63	86
1 x 3/4	34	35	2 x 3/4	41	49	2 1/2 x 2	60	65	4 x 2	69	88
1 1/4 x 1/2	34	38	2 x 1	44	51	3 x 1	51	68	4 x 2 1/2	78	90
1 1/4 x 3/4	38	40	2 x 1 1/4	48	54	3 x 1 1/4	56	70	4 x 3	83	91
1 1/4 x 1	40	42	2 x 1 1/2	52	55	3 x 1 1/2	57	71	5 x 3	87	107
1 1/2 x 1/2	35	42	2 1/2 x 1 1/2	41	57	3 x 2	62	72	5 x 4	100	111
1 1/2 x 3/4	38	43	2 1/2 x 3/4	44	59	3 x 2 1/2	72	75	6 x 4	102	125
									6 x 5	116	128



Chinese National Training of Advanced Technique for Malleable Iron Annealing



Gas Leakage Inspection



Electronic Versatile Testing Machine for Tensile Strength

Distributed By :