



LXLC-50B~500B

WATER METER

YUTA[®]

LXLC-50B~500B

REMOVABLE ELEMENT WOLTMAN WATER METER
DRY TYPE VANE WHEEL WATER METER

Application

Measuring the volume of cold potable
Water passing through the pipeline.

Features

Removable element for facilitating installation and maintenance, long term clear reading, inter-exchangeable parts, magnetic transmission, low driving resistance. Reliable sensitive action, small pressure loss, long working life, etc.
Keep original measuring mechanism, multi-way pulse out-put, nicer looking for B type water meter.

Note:

1. Technical data conform to International Standard ISO4064.
2. Available in hot water meter LXLC/R size range from 50mm to 200mm on request. Main Tech. Date refer to LXLC-50~200 water meter.

Distributed by:

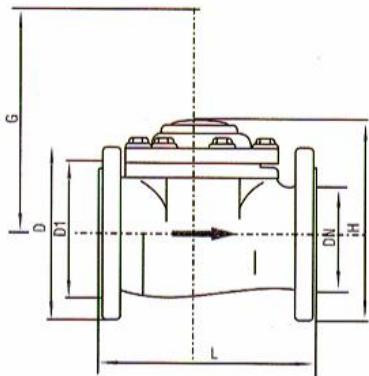
LXLC-50B~500B
REMOVABLE ELEMENT WOLTMAN
WATER METER

Working Condition

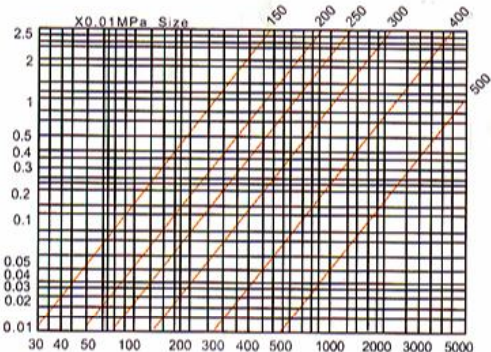
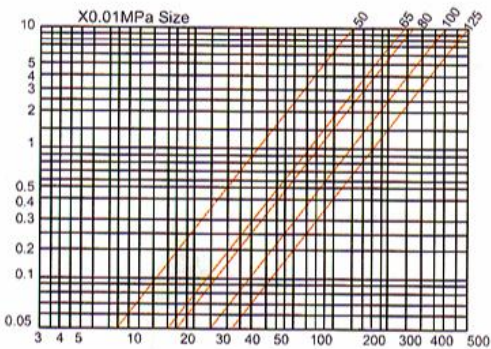
Water temperature:
≤40°C for cold potable water meter
≤90°C for hot water meter
Water pressure: ≤1MPa

Maximum Permissible Error

- a) In the lower zone from Qmin inclusive up to but excluding Qt is + 5%
- b) In the upper zone from Qt inclusive up to and including Qs is:
Cold potable water meter ± 2%
Hot water meter ± 3%



Pressure Loss Curve



Main Technical Data

Type	Size mm	ISO4064 Class	Qs max. Flow	Qp Nominal Flow	Qt Transitional Flow	Qmin Min. Flow	Min. Reading	Max. Reading
LXLC-50B	50	B	30	15	3.0	0.45	0.01	999999
LXLC-65B	65	B	50	25	5	0.75	0.01	999999
LXLC-80B	80	B	80	40	8.0	1.2	0.01	999999
LXLC-100B	100	B	120	60	12	1.8	0.01	999999
LXLC-125B	125	B	200	100	20	3.0	0.01	999999
LXLC-150B	150	B	300	150	30	4.5	0.1	9999999
LXLC-200B	200	B	500	250	50	7.5	0.1	9999999
LXLC-250B	250	B	800	400	80	12	1	99999999
LXLC-300B	300	B	1200	600	120	18	1	99999999
LXLC-400B	400	B	2000	1000	200	30	1	99999999
LXLC-500B	500	B	3000	1500	300	45	1	99999999

NOTE: Available in CUBIC METER, US GALLON and CUBIC FEET in measuring unit.

Dimensions and Weight

Type	Size	Length L	Height H	Height G	Connecting Flange			Weight kg
					Outer Dia mm	Bolt Circle Dia mm	Connecting Bolt (pcs)	
LXLC-50B	50	200	255.8	400	165	125	4xM16	12
LXLC-65B	65	200	265.8	400	185	145	4xM16	13
LXLC-80B	80	225	275.8	400	200	160	8xM16	16
LXLC-100B	100	250	285.8	400	220	180	8xM16	18
LXLC-125B	125	250	298.8	400	250	210	8xM16	20
LXLC-150B	150	300	345.3	500	285	240	8xM20	42
LXLC-200B	200	350	372.5	500	340	295	8xM20	64
LXLC-250B	250	450	492.8	730	395	350	12xM20	94
LXLC-300B	300	500	515.8	730	445	400	12xM20	114
LXLC-400B	400	600	630.8	830	565	515	16xM24	199
LXLC-500B	500	800	738.5	931	620	620	20xM24	340

NOTE: Flange dimensions conform to National Standard GB4216.4-84. Please note special dimensions when order.